

NHDP – 150 BAR

Caratteristiche Tecniche

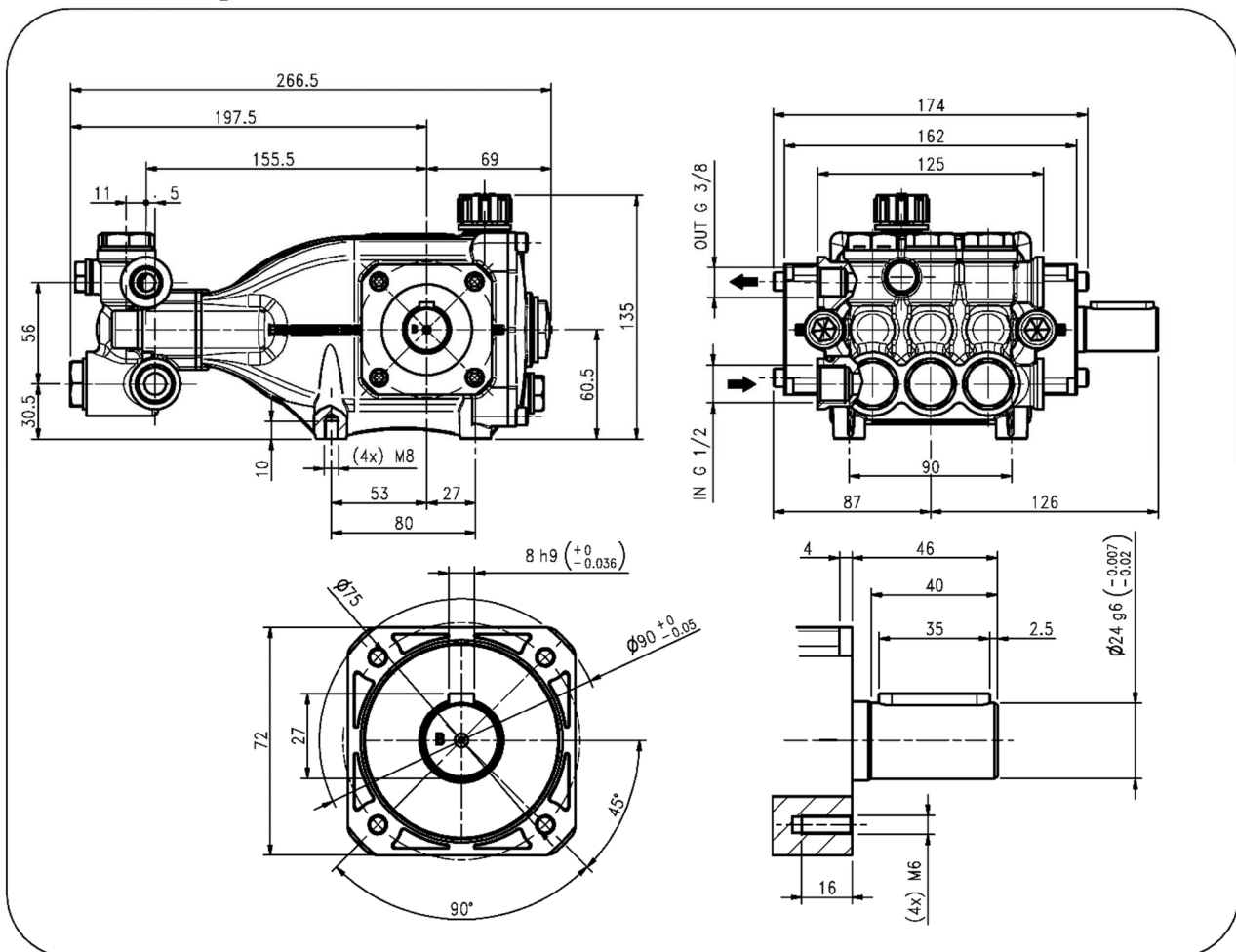
Albero maschio – Solid shaft

Technical Characteristics

Pump Pompa	Pressure Press ione		Volume Portata				RPM giri/min		Power Potenza			
			l/min		GPM				HP		kW	
	bar	PSI	50 Hz	60 Hz	50 Hz	60 Hz	50 Hz	60 Hz	50 Hz	60 Hz	50 Hz	60 Hz
NHDP8515	150	2175	8.5	10.1	2.2	2.7	1450	1740	3.2	3.8	2.4	2.9
NHDP1015	150	2175	10	12.0	2.6	3.2	1450	1740	3.7	4.7	2.8	3.5
NHDP1115	150	2175	11	13.2	2.9	3.5	1450	1740	4.3	5.1	3.2	3.8
NHDP1215	150	2175	12	14.0	3.1	3.7	1450	1740	4.6	5.4	3.4	4.0
NHDP1315	150	2175	13	15.5	3.4	4.0	1450	1740	5.0	5.8	3.7	4.3
NHDP1415	150	2175	14	17.0	3.7	4.5	1450	1740	5.4	6.4	4.0	4.7
NHDP1515	150	2175	15	18.0	4.0	4.7	1450	1740	5.8	7.0	4.3	5.2
NHDP1815	150	2175	18	21	4.8	5.6	1450	1740	6.9	8.3	5.1	6.1
NHDP2115	150	2175	21	25	5.5	6.6	1450	1740	8.1	9.7	5.9	7.1

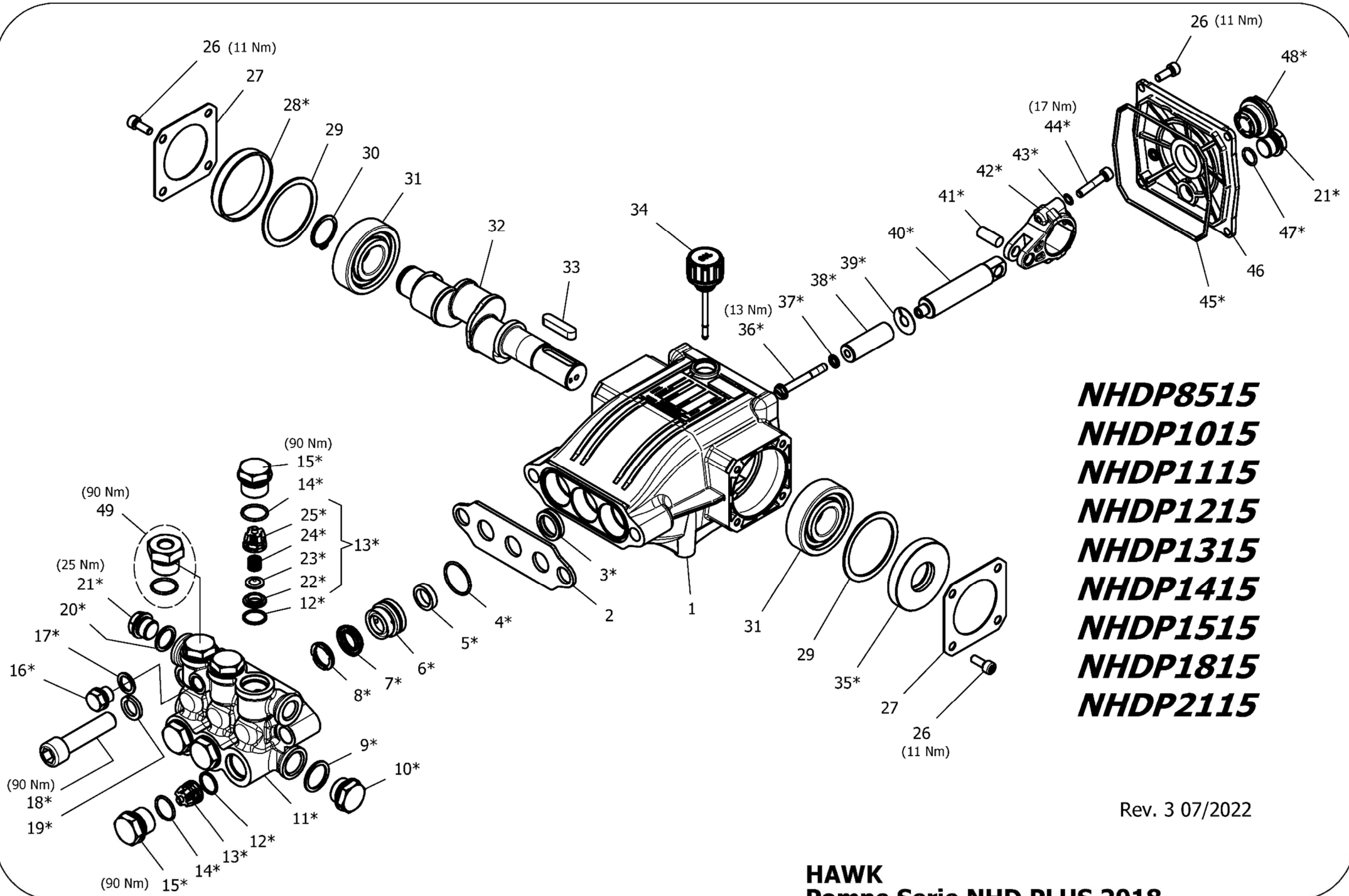
Dimensioni d'ingombro

Overall dimensions



Lubrication: SAE 10W40 Oil
Capacità: 0.4 Litri
Peso pompa: 8.2 kg

Lubrificazione: Olio SAE 10W40
Capacity: 0.4 Litres
Weight: 8.2 kg



NHDP8515
NHDP1015
NHDP1115
NHDP1215
NHDP1315
NHDP1415
NHDP1515
NHDP1815
NHDP2115

Rev. 3 07/2022

HAWK
Pompe Serie NHD PLUS 2018
NHD PLUS Pumps 2018 Series

NHDP 2018 SERIES

ORDINARY MAINTENANCE KIT / KIT MANUTENZIONE ORDINARIA

KIT	Item Pos.	Part Number Codice	Description	Descrizione	Q.TY by Pump Q.TA per Pompa	NHDP8515R/L	NHDP1015R/L	NHDP1115R/L	NHDP1215R/L	NHDP1315R/L	NHDP1415R/L	NHDP1515R/L	NHDP1815R/L	NHDP2115R/L
A	4- 5 - 7 - 8- 18	1.905-762.0	PLUNGER SEALS DIA. 16 mm	GUARNIZIONI PISTONE Ø16	1	•	•	•	•	•	•			
	4 - 5 - 7	1.904-764.0	PLUNGER SEALS DIA. 18 mm	GUARNIZIONI PISTONE Ø18	1								•	•
B	12- 13 (22- 23- 24- 25) 14	1.905-617.0	COMPLETE VALVE	VALVOLA COMPLETA	1	•	•	•	•	•	•	•	•	•

EXTRAORDINARY MAINTENANCE KIT / KIT MANUTENZIONE STRAORDINARIA

KIT	Item Pos.	Part Number Codice	Description	Descrizione	Q.TY by Pump Q.TA per Pompa	NHDP8515R/L	NHDP1015R/L	NHDP1115R/L	NHDP1215R/L	NHDP1315R/L	NHDP1415R/L	NHDP1515R/L	NHDP1815R/L	NHDP2115R/L
C	4 - 5 - 6- 7- 8- 18	1.905-763.0	COMPLETE SEALS PACKING DIA. 16 mm	PACCO COMPLETO GUARNIZIONI PISTONE Ø16	1	•	•	•	•	•	•			
		1.904-765.0	COMPLETE SEALS PACKING DIA. 18 mm	PACCO COMPLETO GUARNIZIONI PISTONE Ø18										•
D	36- 37- 38 39	1.099-738.0	PLUNGER DIA. 16 mm	PISTONE Ø16	3	•	•	•	•	•	•			
		1.904-766.0	PLUNGER DIA. 18 mm	PISTONE Ø18										•
E	3	1.099-740.0	PLUNGER OIL SEALS	ANELLI TENUTA OLIO ASTA	1									
F	21- 28- 35 45- 47- 48	1.905-624.0	KIT CRANKCASE SEALS	KIT TENUTE CARTER	1	•	•	•	•	•	•	•	•	•
G	4- 5 - 6- 7- 8- 9- 10- 11- 12- 13 (22- 23- 24- 25) 14- 15- 16- 17- 18- 19- 20- 21	1.905-764.0	COMPLETE MANIFOLD DIA. 16 mm	TESTATA COMPLETA DIA. 16 mm	1	•	•	•	•	•	•			
		1.904-767.0	COMPLETE MANIFOLD DIA. 18 mm	TESTATA COMPLETA DIA. 18 mm										•
H	40- 41- 42 43- 44	1.905-742.0	CONNECTING ROD PLUNGER ROD ASSY	PREMONTATO ASTA-BIELLA PISTONE	3	•	•	•	•	•	•	•	•	•
I	14- 15	1.904-249.0	VALVE PLUG ASSY	PREMONTATO TAPPO VAM	6									

“Q.TY by Pump” => Necessary quantity to repair one pump
 “Q.TA’ per Pompa” => Quantità necessaria per riparare una pompa

OPTIONAL

Item Pos.	Part Number Codice	Description	Descrizione	Q.TY by Pump Q.TA per Pompa	NHDP8515R/L	NHDP1015R/L	NHDP1115R/L	NHDP1215R/L	NHDP1315R/L	NHDP1415R/L	NHDP1515R/L	NHDP1815R/L	NHDP2115R/L
49	9.853-424.0	KIT THREADED BRASS PLUG G1/4	KIT PREMONTATO TAPPO FORATO	1	•	•	•	•	•	•	•	•	•

TOOL KIT

Part Number Codice	Description	Descrizione	Q.TY by Pump Q.TA per Pompa	NHDP8515R/L	NHDP1015R/L	NHDP1115R/L	NHDP1215R/L	NHDP1315R/L	NHDP1415R/L	NHDP1515R/L	NHDP1815R/L	NHDP2115R/L
1.904-744.0	ORDINARY NHDP TOOL-KIT	TOOL-KIT ORDINARIO NHDP	1	•	•	•	•	•	•	•	•	•
1.905-591.0	TOOL KIT EXTRAORDINARY	TOOL-KIT STRAORDINARIO	1									

IMPORTANT

IMPORTANTE

* Part available ONLY in kit
Disponibile SOLO in kit

(...) Parts pre-assembled
Parti pre-assemblate

PARTS LIST LISTA PARTI

Item Pos	Part Number Codice	Description	Descrizione	KIT	Q.TY Q.T A	NHDP8515R/L	NHDP1015R/L	NHDP1115R/L	NHDP1215R/L	NHDP1315R/L	NHDP1415R/L	NHDP1515R/L	NHDP1815R/L	NHDP2115R/L
1	9.850-369.0	CRANKCASE	CARTER		1	•	•	•	•	•	•	•	•	•
2	9.853-555.0	SPACER PISTON Ø16	DISTANZIATORE PISTONE Ø16		1	•	•	•	•	•	•	•		
	9.853-788.0	SPACER PISTON Ø18	DISTANZIATORE PISTONE Ø18		1								•	•
3		PLUNGER OIL SEAL	ANELLO RADIALE	E	3	•	•	•	•	•	•	•	•	•
4*		"O" RING Ø1.78X25.12	"O" RING Ø1.78X25.12	A-C-G	3									•
		O-RING 2106 - Ø1,78X26,70	O-RING 2106 - Ø1,78X26,70	A-C-G	3	•	•	•	•	•	•	•		
5		"U" SEAL, DIA. DDI Ø 18 X 24 X 3.8 W2	ANELLO TENUTA PIST. DDI Ø 18 X 24 X 3.8 W2	A-C-G	3								•	•
		SEAL, DIA. 16 MM	ANELLO TENUTA PIST. Ø16	A-C-G	3	•	•	•	•	•	•	•		
6*		PRESSURE RING DIA. 18	DIFFUSORE "U" Ø18	C-G	3								•	•
		"V" PRESSURE RING Ø16	PRESSORE Ø16 "V"	C-G	3	•	•	•	•	•	•	•		
7*		"U" SEAL, DIA. 18 MM	ANELLO TENUTA "U" Ø18	A-C-G	3								•	•
		"V" SEAL, DIA. 16 MM	ANELLO TENUTA PIST. Ø16 "V"	A-C-G	3	•	•	•	•	•	•	•		
8*		SUPPORT RING Ø18	PRESSORE Ø18	C-G	3								•	•
		SUPPORT RING Ø16	DIFFUSORE Ø16	A-C-G	3	•	•	•	•	•	•	•		
9*		COPPER WASHER G1/2	GUARNIZIONE RAME G1/2	G	1	•	•	•	•	•	•	•	•	•
10*		BRASS PLUG G1/2	TAPPO OTTONE G1/2	G	1									•
11*		MANIFOLD HOUSING Ø16	TESTATA Ø16	G	1	•	•	•	•	•	•	•		
		MANIFOLD HOUSING Ø18	TESTATA Ø18	G	1								•	•
12*		"O" RING Ø1.78X15.6	"O" RING Ø1.78X15.6	B-G	6									
13*		VALVE ASSEMBLY	VALVOLA PREMONTATA	B-G	6									
14*		"O" RING Ø1,78X18.77	"O" RING Ø1.78X18.77	B-G-I	6									
15*		VALVE PLUG	TAPPO VALVOLA	G-I	6									
16*		BRASS PLUG G1/4	TAPPO OTTONE G1/4	G	1									
17*		COPPER WASHER G1/4	GUARNIZIONE RAME G1/4	G	1									
18*		MANIFOLD STUD BOLT M14X60	VITE TCEI M14X60	A-C-G	2									
19*		LOCK-WASHER	ROSETTA ELASTICA Ø14	G	2									
20*		COPPER WASHER G3/8	GUARNIZIONE RAME G 3/8	G	1									
21*		BRASS PLUG G 3/8	TAPPO OTTONE G 3/8	F-G	2	•	•	•	•	•	•	•	•	•
22*		VALVE SEAT	SEDE VALVOLA	B-G	6									
23*		VALVE PLATE	PIATTELLO VALVOLA	B-G	6									
24*		VALVE SPRING	MOLLA VALVOLA	B-G	6									
25*		VALVE CAGE	GABBIA VALVOLA	B-G	6									
26	9.851-474.0	SCREW M6X16	VITE TCEI M6X16		12									
27	9.850-379.0	BEARING COVER	COPERCHIO CUSCINETTO		2									
28*		BEARING SEAL	CAPPELLOTTO CUSCINETTO	F	1									
29	9.850-554.0	CRANKSHAFT SEAL SPACER	DISTANZIALE PARAOLIO ALBERO		2									
30	9.851-198.0	SNAP RING DIA. 25 MM	ANELLO Ø25		1									

Item Pos	Part Number Codice	Description	Descrizione	KIT	Q.TY Q.T A	NHDP8515R/L	NHDP1015R/L	NHDP1115R/L	NHDP1215R/L	NHDP1315R/L	NHDP1415R/L	NHDP1515R/L	NHDP1815R/L	NHDP2115R/L
31	9.850-460.0	BALL BEARING	CUSCINETTO A SFERE		2									
32	9.850-220.0	SINGLE-ENDED SHAFT	ALBERO SEMPLICE P.D.F		1							•		
	9.850-224.0	" " "	" " "		1						•		•	
	9.850-225.0	" " "	" " "		1			•						
	9.850-226.0	" " "	" " "		1	•								
	9.850-227.0	" " "	" " "		1		•							
	9.851-956.0	" " "	" " "		1				•					
	9.850-228.0	" " "	" " "		1					•				
	9.853-521.0	" " "	" " "		1									•
33	9.850-446.0	CRANKSHAFT KEY	CHIAVETTA		1									
34	9.851-286.0	OIL DIP STICK	TAPPO LIVELLO OLIO		1									
35*		CRANKSHAFT SEAL	ANELLO RADIALE	F	1	•	•	•	•	•	•	•	•	•
36*		PLUNGER BOLT	VITE PISTONE	D	3									
37*		BONDED SEAL – Ø6,7X11X1 AISI 304	BONDED SEAL – Ø6,7X11X1 AISI 304	D	3									
38*		PLUNGER DIA. 16 MM	PISTONE Ø16	D	3	•	•	•	•	•	•	•		
		PLUNGER DIA. 18 MM	PISTONE Ø18	D	3								•	•
39*		COPPER SPACER	ROSETTA RAME	D	3									
40*		PLUNGER ROD	ASTA PISTONE	H	3									
41*		CONNECTING ROD PIN	SPINOTTO	H	3									
42*		CONNECTING ROD	BIELLA	H	3									
43*		SPRING WASHER DIA. 6 MM	ROSETTA SCHNORR Ø6	H	6	•	•	•	•	•	•	•	•	•
44*		CONNECTING ROD SCREW	VITE M6X30	H	6									
45*		"O" RING Ø2.62X111.62	"O" RING Ø2.62X111.62	F	1									
46	9.850-392.0	CRANKCASE COVER	COPERCHIO POSTERIORE		1									
47*		"O" RING Ø1.78X14	"O" RING Ø1.78X14	F	1									
48*		SIGHT GLASS G3/4	SPIA LIVELLI OLIO G3/4	F	1									