

**Filter housings, cartridges and
polyphosphate feeders
MWG**





PP String Wound Filtering Cartridges

- string wound filtering cartridges with core;
- string and core in polypropylene;
- double/triple retention capacity than a compact structure cartridge;
- dimensions external diameter 60 mm, internal diameter 28 mm;
- nominal length: 10" or 20";
- Suggested filtering flow rate for 10" length: 18 ÷ 24 lpm;
- Max filtering flow rate for 20" length: 30 lpm;
- Max ΔP recommended 1 bar;
- Max operating temperature = 60°C.

Ref	Description	Fam.	Subfam.	Disp. Stock	
FC100	MWG STRING WOUND CARTRIDGE DLSW-10-01 (9-7/8")	40	100	OK	
FC101	MWG STRING WOUND CARTRIDGE DLSW-10-05 (9-7/8")	40	100	OK	
FC102	MWG STRING WOUND CARTRIDGE DLSW-10-10 (9-7/8")	40	100	OK	
FC103	MWG STRING WOUND CARTRIDGE DLSW-10-20 (9-7/8")	40	100	OK	
FC104	MWG STRING WOUND CARTRIDGE DLSW-10-50 (9-7/8")	40	100	OK	
FC105	MWG STRING WOUND CARTRIDGE DLSW-10-100 (9-7/8")	40	100	OK	
FC110	MWG STRING WOUND CARTRIDGE DLSW-20-01	40	100	OK	
FC111	MWG STRING WOUND CARTRIDGE DLSW-20-05	40	100	OK	
FC112	MWG STRING WOUND CARTRIDGE DLSW-20-10	40	100	OK	
FC113	MWG STRING WOUND CARTRIDGE DLSW-20-20	40	100	OK	
FC114	MWG STRING WOUND CARTRIDGE DLSW-20-50	40	100	OK	
FC115	MWG STRING WOUND CARTRIDGE DLSW-20-100	40	100	OK	

Ref	Nominal Length (inch)	Length (mm)	Micron
FC100	10"	251	1
FC101	10"	251	5
FC102	10"	251	10
FC103	10"	251	20
FC104	10"	251	50
FC105	10"	251	100
FC110	20"	508	1
FC111	20"	508	5
FC112	20"	508	10
FC113	20"	508	20
FC114	20"	508	50
FC115	20"	508	100

Certificates	Manufacturer	Sectors
DM174-2004	MWG	Domestic, Commercial, Industrial



Melt Blown Filtering Cartridges

- Thermowelded polypropylene fibers cartridges with no lubricants or antistatic additives;
- Any migration into the filtered water;
- Wide chemical compatibility;
- High retention capacity & filtration efficiency multilayer structure;
- Filtration efficiency 96 % minimum;
- High retention capacity extends cartridge life;
- External diameter 63 mm, internal 28 mm;
- Nominal length: 10" - 20" - 30" - 40".
- Suggested filtration flow rate for 10" length: 15 ÷ 20 lpm;
- Max filtration flow rate for 40" length: 60 lpm;
- Max ΔP recommended 1,4 bar;
- Max operating temperature = 80°C.

Ref	Description	Fam.	Subfam.	Disp. Stock	
FC050	MELT BLOWN CARTRIDGE DLPP-01-10 (9.7/8")	40	100	OK	
FC051	MELT BLOWN CARTRIDGE DLPP-05-10 (9.7/8")	40	100	OK	
FC052	MELT BLOWN CARTRIDGE DLPP-10-10 (9.7/8")	40	100	OK	
FC053	MELT BLOWN CARTRIDGE DLPP-20-10 (9.7/8")	40	100	OK	
FC054	MELT BLOWN CARTRIDGE DLPP-30-10 (9.7/8")	40	100	OK	
FC055	MELT BLOWN CARTRIDGE DLPP-50-10 (9.7/8")	40	100	OK	
FC060	MELT BLOWN CARTRIDGE DLPP-01-20	40	100	OK	
FC061	MELT BLOWN CARTRIDGE DLPP-05-20	40	100	OK	
FC062	MELT BLOWN CARTRIDGE DLPP-10-20	40	100	OK	
FC063	MELT BLOWN CARTRIDGE DLPP-20-20	40	100	OK	
FC064	MELT BLOWN CARTRIDGE DLPP-30-20	40	100	OK	
FC065	MELT BLOWN CARTRIDGE DLPP-50-20	40	100	OK	
FC070	MELT BLOWN CARTRIDGE DLPP-01-30	40	100	OK	
FC071	MELT BLOWN CARTRIDGE DLPP-05-30	40	100	OK	
FC072	MELT BLOWN CARTRIDGE DLPP-10-30	40	100	OK	
FC073	MELT BLOWN CARTRIDGE DLPP-20-30	40	100	OK	
FC074	MELT BLOWN CARTRIDGE DLPP-30-30	40	100	OK	
FC075	MELT BLOWN CARTRIDGE DLPP-50-30	40	100	OK	
FC080	MELT BLOWN CARTRIDGE DLPP-01-40	40	100	OK	
FC081	MELT BLOWN CARTRIDGE DLPP-05-40	40	100	OK	
FC082	MELT BLOWN CARTRIDGE DLPP-10-40	40	100	OK	
FC083	MELT BLOWN CARTRIDGE DLPP-20-40	40	100	OK	
FC084	MELT BLOWN CARTRIDGE DLPP-30-40	40	100	OK	
FC085	MELT BLOWN CARTRIDGE DLPP-50-40	40	100	OK	





Melt Blown Filtering Cartridges

Ref	Nominal Lenght (inch)	Lenght (mm)	Micron
FC050	10"	251	1
FC051	10"	251	5
FC052	10"	251	10
FC053	10"	251	20
FC054	10"	251	30
FC055	10"	251	50
FC060	20"	505	1
FC061	20"	505	5
FC062	20"	505	10
FC063	20"	505	20
FC064	20"	505	30
FC065	20"	505	50
FC070	30"	764	1
FC071	30"	764	5
FC072	30"	764	10
FC073	30"	764	20
FC074	30"	764	30
FC075	30"	764	50
FC080	40"	1018	1
FC081	40"	1018	5
FC082	40"	1018	10
FC083	40"	1018	20
FC084	40"	1018	30
FC085	40"	1018	50

Box: WxLxH	Box: Q.ty	Box: Weight	Pallet: WxLxH	Pallet: Q.ty	Pallet: Weight

Certificates	Manufacturer	Sectors
DM174-2004		Domestic, Commercial, Industrial



PP Big Sediment Filter Cartridges



- melt-blown polypropylene fibers;
- dimensions 114 mm external diameter;
- dimensions 28 mm internal diameter;
- max working temperature 65°C.

Ref	Description	Fam.	Subfam.	Disp. Stock	
FA038	MELT BLOWN CARTRIDGE BIG DLPPBB-01-10 (9.7/8")	40	105	OK	
FA034	MELT BLOWN CARTRIDGE BIG DLPPBB-05-10 (9.7/8")	40	105	OK	
FA035	MELT BLOWN CARTRIDGE BIG DLPPBB-20-10 (9.7/8")	40	105	OK	
FA036	MELT BLOWN CARTRIDGE BIG DLPPBB-50-10 (9.7/8")	40	105	OK	
FA039	MELT BLOWN CARTRIDGE BIG DLPPBB-01-20	40	105	OK	
FA028	MELT BLOWN CARTRIDGE BIG DLPPBB-05-20	40	105	OK	
FA029	MELT BLOWN CARTRIDGE BIG DLPPBB-20-20	40	105	OK	
FA037	MELT BLOWN CARTRIDGE BIG DLPPBB-50-20	40	105	OK	

Ref	Nominal Length (inch)	Length (mm)	Micron
FA038	10"	251	1
FA034	10"	251	5
FA035	10"	251	20
FA036	10"	251	50
FA039	20"	508	1
FA028	20"	508	5
FA029	20"	508	20
FA037	20"	508	50

Box: WxLxH	Box: Q.ty	Box: Weight	Pallet: WxLxH	Pallet: Q.ty	Pallet: Weight

Certificates	Manufacturer	Sectors
DM174-2004		Domestic, Commercial, Industrial



Purtrex Filtering Cartridges



- in melt-blown polypropylene fibers;
- any microfibers migration in filtered water;
- graduated density from external to internal side improves filter efficiency;
- high retention capacity extends cartridge life;
- external diameter 63 mm, internal 28 mm;
- nominal length 10" - 20" - 30" - 40".
- suggested filtration flow rate for 10" length: 15 ÷ 20 lpm;
- max filtration flow rate for 40" length: 60 lpm;
- max operating temperature = 80°C.

Ref	Description	Fam.	Subfam.	Disp. Stock	
FC010	PURTREX CARTRIDGE PX01-9.7/8"	40	100	OK	
FC011	PURTREX CARTRIDGE PX03-9.7/8"	40	100	OK	
FC012	PURTREX CARTRIDGE PX05-9.7/8"	40	100	OK	
FC013	PURTREX CARTRIDGE PX10-9.7/8"	40	100	OK	
FC014	PURTREX CARTRIDGE PX20-9.7/8"	40	100	OK	
FC015	PURTREX CARTRIDGE PX30-9.7/8"	40	100	OK	
FC016	PURTREX CARTRIDGE PX50-9.7/8"	40	100	OK	
FC017	PURTREX CARTRIDGE PX75-9.7/8"	40	100	OK	
FC020	PURTREX CARTRIDGE PX01-20"	40	100	OK	
FC021	PURTREX CARTRIDGE PX03-20"	40	100	OK	
FC022	PURTREX CARTRIDGE PX05-20"	40	100	OK	
FC023	PURTREX CARTRIDGE PX10-20"	40	100	OK	
FC024	PURTREX CARTRIDGE PX20-20"	40	100	OK	
FC025	PURTREX CARTRIDGE PX30-20"	40	100	OK	
FC026	PURTREX CARTRIDGE PX50-20"	40	100	OK	
FC030	PURTREX CARTRIDGE PX01-30"	40	100	OK	
FC031	PURTREX CARTRIDGE PX03-30"	40	100	OK	
FC032	PURTREX CARTRIDGE PX05-30"	40	100	OK	
FC033	PURTREX CARTRIDGE PX10-30"	40	100	OK	
FC034	PURTREX CARTRIDGE PX20-30"	40	100	OK	
FC035	PURTREX CARTRIDGE PX30-30"	40	100	OK	
FC036	PURTREX CARTRIDGE PX50-30"	40	100	OK	
FC040	PURTREX CARTRIDGE PX01-40"	40	100	OK	
FC041	PURTREX CARTRIDGE PX03-40"	40	100	OK	
FC042	PURTREX CARTRIDGE PX05-40"	40	100	OK	
FC043	PURTREX CARTRIDGE PX10-40"	40	100	OK	
FC044	PURTREX CARTRIDGE PX20-40"	40	100	OK	
FC045	PURTREX CARTRIDGE PX30-40"	40	100	OK	
FC046	PURTREX CARTRIDGE PX50-40"	40	100	OK	



Purtrex Filtering Cartridges

Ref	Nominal Length (inch)	Length (mm)	Micron
FC010	10"	251	1
FC011	10"	251	3
FC012	10"	251	5
FC013	10"	251	10
FC014	10"	251	20
FC015	10"	251	30
FC016	10"	251	50
FC017	10"	251	75
FC020	20"	508	1
FC021	20"	508	3
FC022	20"	508	5
FC023	20"	508	10
FC024	20"	508	20
FC025	20"	508	30
FC026	20"	508	50
FC030	30"	764	1
FC031	30"	764	3
FC032	30"	764	5
FC033	30"	764	10
FC034	30"	764	20
FC035	30"	764	30
FC036	30"	764	50
FC040	40"	1018	1
FC041	40"	1018	3
FC042	40"	1018	5
FC043	40"	1018	10
FC044	40"	1018	20
FC045	40"	1018	30
FC046	40"	1018	50

Box: WxLxH	Box: Q.ty	Box: Weight	Pallet: WxLxH	Pallet: Q.ty	Pallet: Weight

Certificates	Manufacturer	Sectors
DM174-2004 , FDA21 , NSF42		Domestic, Commercial, Industrial



Activated Carbon Filtering Cartridges



Carbon Block End Cap 70

- Extruded activated carbon of Bituminous origin;
- Recommended for pre-filtration applications and for Chlorine removal;
- Dimensions: external diameter = 64 mm; internal diameter = 28 mm; end-cap diameter = 70 mm.
- Max operating temperature = 50 °C.

Ref	Description	Fam.	Subfam.	Disp. Stock	
FA012	CARBON BLOCK CARTRIDGE CBC 5" CTO 1 MICRON	40	105	OK	
FA013	CARBON BLOCK CARTRIDGE EB-CB -9"7/8 CTO 10 MICRON	40	105	OK	
FA014	CARBON BLOCK CARTRIDGE CBC 20" CTO 10 MICRON	40	105	OK	

Ref	Nominal Length (inch)	Length (mm)	Microns	Suggested Flow Rate (l/h)	CAP
FA012	5"	124	1	120	White
FA013	10"	250	10	240	White
FA014	20"	508	10	480	White

Box: WxLxH	Box: Q.ty	Box: Weight	Pallet: WxLxH	Pallet: Q.ty	Pallet: Weight

Certificates	Manufacturer	Sectors
DM174-2004		Domestic, Commercial, Industrial



Carbon Block End Cap 65

- Extruded activated carbon of Bituminous origin.
- Recommended for pre-filtration applications and for Chlorine removal.
- Dimensions: external diameter = 62 mm; internal diameter = 30 mm; end-cap diameter = 65 mm.
- Max operating temperature = 50 °C.

Ref	Description	Fam.	Subfam.	Disp. Stock	
FA018	CARBON BLOCK CARTRIDGE 10" CTO 10 MICRON END CAP65	40	105	OK	
FA019	CARBON BLOCK CARTRIDGE 20" CTO 10 MICRON END CAP65	40	105	OK	

Ref	Nominal Length (inch)	Length (mm)	Micron	Suggested Flow Rate (l/h)	CAP
FA018	10"	249	10	240	White
FA019	20"	508	10	480	White

Box: WxLxH	Box: Q.ty	Box: Weight	Pallet: WxLxH	Pallet: Q.ty	Pallet: Weight

Certificates	Manufacturer	Sectors
DM174-2004		Domestic, Commercial, Industrial



Activated Carbon Filtering Cartridges

Big Carbon Block

- Bituminous carbon block.
- Suitable for pre-filtration applications and for Chlorine removal.
- Dimensions: external diameter = 108 mm (4 1/4"); internal diameter = 25 mm (1) ; end-cap diameter = 113 mm.

Ref	Description	Fam.	Subfam.	Disp. Stock	
FA016	CARBON BLOCK CARTRIDGE CBC 10" BIG CTO 5 MICRON	40	105	OK	
FA015	CARBON BLOCK CARTRIDGE CBC 20" BIG CTO 5 MICRON	40	105	OK	

Ref	Nominal Length (inch)	Length (mm)	Micron	Suggested Flow Rate(l/h)
FA016	10"	254	5	800
FA015	20"	508	5	1600

Box: WxLxH	Box: Q.ty	Box: Weight	Pallet: WxLxH	Pallet: Q.ty	Pallet: Weight

Certificates	Manufacturer	Sectors
DM174-2004		Domestic, Commercial, Industrial

Granular activated carbon

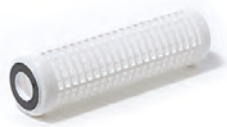
- PE container cartridge empty or with granular activated carbon;
- external diameter 72 mm;
- nominal length 10";
- length 256 mm.

Ref	Description	Fam.	Subfam.	Disp. Stock	
FA007	GAC CARTRIDGE 10N 9" 7/8 VEGETAL	40	105	OK	
FA008	EMPTY CARTRIDGE 10N 9" 7/8	40	105	OK	

Box: WxLxH	Box: Q.ty	Box: Weight	Pallet: WxLxH	Pallet: Q.ty	Pallet: Weight

Certificates	Manufacturer	Sectors
		Domestic, Commercial, Industrial





DOE Polyester Filtering Cartridges for MT, MD & OTS Housings

- Washable, with filtration degree 50 micron;
- External diameter 70 mm, internal 30 mm;
- Max operating temperature 45°C.

Ref	Description	Fam.	Subfam.	Disp. Stock	
FARP1050	MWG 10" CARTRIDGE POLYESTER WASHABLE NET 50 MICRON	40	105	OK	
FARP2050	MWG 20" CARTRIDGE POLYESTER WASHABLE NET 50 MICRON	40	105	OK	

Ref	Nominal Length (inch)	Length (mm)
FARP1050	10"	250
FARP2050	20"	505

Box: WxLxH	Box: Q.ty	Box: Weight	Pallet: WxLxH	Pallet: Q.ty	Pallet: Weight

Certificates	Manufacturer	Sectors
DM174-2004 ACS	MWG	Domestic



DOE Polyester Filtering Cartridges for OTS Housings

- Washable, with filtration degree 60 micron;
- External diameter 62 mm, internal 27 mm.

Ref.	Description	Fam.	Subfam.	Disp. Stock	
FA067	WASHABLE POYESTER CARTRIDGE 60-9	40	105	OK	
FA068	WASHABLE POYESTER CARTRIDGE 60-20	40	105	OK	

Ref	Nominal Lenght (pollici)	Lenght (mm)
FA067	10"	248
FA068	20"	505

Box: WxLxH	Box: Q.ty	Box: Weight	Pallet: WxLxH	Pallet: Q.ty	Pallet: Weight

Certificates	Manufacturer	Sectors
DM174-2004		Domestic, Commercial, Industrial



OR222 Nylon Filtering Cartridges for OTS Housings

- Washable, with filtration degree 60 micron;
- To fit into OTS brass head housings 1 ¼" - 1 ½" - 2" models;
- External diameter 61 mm;
- With 222 O-rings;
- Max ΔP recommended 1,4 bar.

Ref	Description	Fam.	Subfam.	Disp. Stock	
FB067	WASHABLE NYLON CARTRIDGE 60 MICRON OTS 10" - OR22	40	105	OK	
FB068	WASHABLE CARTRIDGE NYLON 60 MICRON OTS 20" - OR22	40	105	OK	

Ref	Nominal Lenght (inch)	Lenght (mm)	Flow Δp=0,2 bar (l/h)
FB067	10"	250	1800
FB068	20"	505	3600

Box: WxLxH	Box: Q.ty	Box: Weight	Pallet: WxLxH	Pallet: Q.ty	Pallet: Weight

Certificates	Manufacturer	Sectors
DM174-2004 ACS		Domestic, Commercial



FAAP1050 FAAL1070



AISI 316 Filtering DOE Cartridges for Hot Water

- Washable and suitable for MWG Hot Water Filter Housings on catalog;
- Dimensions external diameter 70 mm, internal 30 mm;
- Nominal Length 10" (= 250 mm) and 20" (= 505 mm);
- Range temperature 4 - 80°C.

Ref	Description	Fam.	Subfam.	Disp. Stock	
FAAP1050	MWG AISI 316 PLEATED CARTRIDGE 10"-50 MICRON	40	105	OK	
FAAL1070	MWG AISI 316 SMOOTH CARTRIDGE 10"-70 MICRON	40	105	OK	
FAAP2050	MWG AISI 316 PLEATED CARTRIDGE 20" - 50 MICRON	40	105	OK	
FAAL2070	MWG AISI 316 SMOOTH CARTRIDGE L=20"-70 MICRON	40	105	OK	

Box: WxLxH	Box: Q.ty	Box: Weight	Pallet: WxLxH	Pallet: Q.ty	Pallet: Weight

Certificates	Manufacturer	Sectors
DM174-2004 ACS	MWG	Domestic, Commercial, Industrial



Wound Polypropylene Cartridge with AISI 316 Core for Hot Water Filters

- To install with our Hot Water Filters on catalogue;
- dimensions external diameter 60 mm, internal 27 mm;
- length 250 mm, nominal length 10";
- max operating temperature 80°C.

Ref	Description	Fam.	Subfam.	Disp. Stock	
FA071	MWG STRING WOUND CARTRIDGE AISI 316 CORE DLSW5-975	40	105	OK	
FA072	MWG STRING WOUND CARTRIDGE AISI316 CORE DLSW10-975	40	105	OK	
FA073	MWG STRING WOUND CARTRIDGE AISI316 CORE DLSW20-975	40	105	OK	
FA074	MWG STRING WOUND CARTRID. AISI316 CORE DLSW50-975E	40	105	OK	

Ref	Description	Micron
FA071	MWG STRING WOUND CARTRIDGE AISI 316 CORE DLSW5-975	5
FA072	MWG STRING WOUND CARTRIDGE AISI316 CORE DLSW10-975	10
FA073	MWG STRING WOUND CARTRIDGE AISI316 CORE DLSW20-975	20
FA074	MWG STRING WOUND CARTRID. AISI316 CORE DLSW50-975E	50

Certificates	Manufacturer	Sectors
DM174-2004	MWG	Domestic, Commercial, Industrial



Filtering Cartridges

Empty Cartridges



- plastic empty cartridge;
- external diameter 70 mm;
- useful to fill with polyphosphate crystals - activated carbon - resins.

Ref	Description	Fam.	Subfam.	Disp. Stock	
FAVP10	MWG EMPTY CARTRIDGE 10"	40	105	OK	
FAVP20	MWG EMPTY CARTRIDGE 20"	40	105	OK	

Ref	Nominal Length (inch)	Length (mm)	Volume (Liters)
FAVP10	10"	252	0,6
FAVP20	20"	510	1,2

Box: WxLxH	Box: Q.ty	Box: Weight	Pallet: WxLxH	Pallet: Q.ty	Pallet: Weight

Certificates	Manufacturer	Sectors
DM174-2004	MWG	Domestic

Anti-scale Cartridges with Polyphosphate Crystals.



- Plastic cartridge;
- External diameter 70 mm;
- Shipped with polyphosphate crystals 10 ÷ 20 mm;
- Maximum temperature = 35°C;
- Maximum total hardness = 50°f (500 ppm CaCO₃) ;
- The polyphosphate complies with the standard UNI EN 1208:2005.

Ref	Description	Fam.	Subfam.	Disp. Stock	
FAPP1012	MWG 10" CARTRIDGE WITH 10-20 MM POLYPH. CRYSTALS	40	105	OK	
FAPP2012	MWG 20" CARTRIDGE WITH 10-20 MM POLYPH. CRYSTALS	40	105	OK	

Ref	Nominal Length (inch)	Length (mm)
FAPP1012	10"	252
FAPP2012	20"	510

Box: WxLxH	Box: Q.ty	Box: Weight	Pallet: WxLxH	Pallet: Q.ty	Pallet: Weight

Certificates	Manufacturer	Sectors
	MWG	Domestic, Commercial, Industrial

PP Melt Blown 5" Filtering Cartridge

- melt blown polypropylene fibers cartridge; dimensions external diameter 64 mm, internal 25 mm.

Ref	Description	Fam.	Subfam.	Disp. Stock	
FA021	IN FIBER CARTRIDGE PP 5" SED 5 MICRON	40	105	OK	

Ref	Nominal Length (inch)	Length (mm)	Micron
FA021	5"	126	5

Box: WxLxH	Box: Q.ty	Box: Weight	Pallet: WxLxH	Pallet: Q.ty	Pallet: Weight

Certificates	Manufacturer	Sectors
		Domestic, Commercial, Industrial



MM Mini Three Pieces Filter Housings



- Made in European Union (Italy);
- Suitable for MINI filtering cartridges 5" length;
- Head and nut material ABS blue colour;
- IN/OUT connections 1/2" with brass inserts;
- Sump in SAN clear and O-ring in EPDM material;
- Max operating pressure 8 bar;
- Temperature range = 4 ÷ 45°C.

Ref	Description	Fam.	Subfam.	Disp. Stock	
FBMM0505T	MWG MINI FILETR HOUSING 1/2" - L=5" CLEAR BOWL	40	106	OK	

Box: WxLxH	Box: Q.ty	Box: Weight	Pallet: WxLxH	Pallet: Q.ty	Pallet: Weight

Certificates	Manufacturer	Sectors
DM174-2004 DM25-2012 ACS	MWG	Domestic, Commercial

Cartridges to coupling, MINI Wound PP Thread Filtering Cartridge

- Filtering degree 25 micron;
- Dimensions external diameter 45 mm, internal 18 mm;
- Length 5" (= 122 mm).

Ref	Description	Fam.	Subfam.	Disp. Stock	
FAMM0525	MWG 5" MINI CARTRIDGE PP WOUND THREAD 25 MICRON	40	105	OK	

Box: WxLxH	Box: Q.ty	Box: Weight	Pallet: WxLxH	Pallet: Q.ty	Pallet: Weight

Certificates	Manufacturer	Sectors
DM174-2004 ACS	MWG	Domestic

Washable MINI Filtering Cartridge with Net in Polyester

- Washable MINI cartridge in Polyester;
- Filtering degree 50 micron;
- Dimensions external diameter 50 mm, internal 20 mm;
- Length 5" (= 122 mm).

Ref	Description	Fam.	Subfam.	Disp. Stock	
FAMM0550	MWG 5" MINI CARTRIDGE POLYESTER WASHABLE NET 50 MICRON	40	105	OK	

Box: WxLxH	Box: Q.ty	Box: Weight	Pallet: WxLxH	Pallet: Q.ty	Pallet: Weight

Certificates	Manufacturer	Sectors
DM174-2004 ACS	MWG	Domestic

Accessories

Ref	Description	Fam.	Subfam.	Disp. Stock	
FBMMR11	MWG PLASTIC SPANNER FOR FILTER MM	40	106	OK	
FBMMR41	MWG DIFFUSER TUBE 5" FOR FILTER MM	40	106	OK	
FBMDR31	MWG PLASTIC NIPPLE 3/4" BSPP W/O-RING FOR FILTER MD/MM/MT	40	106	OK	



Residential Cintropur Filters



- range of filters for drinking water entirely made in synthetic material;
- the particular centrifugal effect causes the precipitation of larger particles, while the final filtration is assured by the filter sleeve;
- the filters include the sleeve at 25 micron;
- also available sleeves at 1, 10, 50 and 100 micron as spare parts;
- wrench and two complete connections included;
- max operating pressure 10 bar;
- max operating temperature 50°C.

Ref	Description	Fam.	Subfam.	Disp. Stock	
FB400	FILTER CINTROPUR NW18-3/4" - 25 MICRON	40	113	NO	
FB401	FILTER CINTROPUR NW 25-3/4" - 25 MICRON	40	113	OK	
FB402	FILTER CINTROPUR NW 25-1" - 25 MICRON	40	113	OK	
FB403	FILTER CINTROPUR NW 32-1 1/4" - 25 MICRON	40	113	OK	

Ref	Connections	Flow m ³ /h Δp 0,2 bar	Height (mm)	Width (mm)
FB400	3/4"	3,5	240	270
FB401	3/4"	5,5	355	270
FB402	1"	5,5	355	270
FB403	1 1/4"	6,5	540	270

Box: WxLxH	Box: Q.ty	Box: Weight	Pallet: WxLxH	Pallet: Q.ty	Pallet: Weight

Certificates	Manufacturer	Sectors
DM174-2004 ACS	Cintropur	Domestic, Commercial

Accessories and spare parts

Ref	Description	Fam.	Subfam.	Disp. Stock	
FB470	SPANNER NW18/25/32 REF. 21	40	112	OK	
FB472	MANOMETER 1/8" SCALE 0-10 BAR NW 18/25/32 REF 23	40	112	OK	
FB473	SINGLE PP MOUNTING BRACKET NW18/25/32 REF. 24	40	112	OK	
FB444	N. 5 SPARE SLEEVES KIT 1 MICRON NW 25	40	112	OK	
FB426	N. 5 SPARE SLEEVES KIT 10 MICRONS NW 25	40	112	NO	
FB427	N. 5 SPARE SLEEVES KIT 25 MICRONS NW 25	40	112	OK	
FB428	N. 5 SPARE SLEEVES KIT 50 MICRONS NW 25	40	112	OK	
FB429	N. 5 SPARE SLEEVES KIT 100 MICRONS NW 25	40	112	OK	
FB445	N. 5 SPARE SLEEVES KIT 1 MICRON NW 32	40	112	OK	
FB433	N. 5 SPARE SLEEVES KIT 25 MICRONS NW 32	40	112	OK	
FB434	N. 5 SPARE SLEEVES KIT 50 MICRONS NW 32	40	112	OK	
FB435	N. 5 SPARE SLEEVES KIT 100 MICRONS NW 32	40	112	OK	



Commercial Cintropur Filters



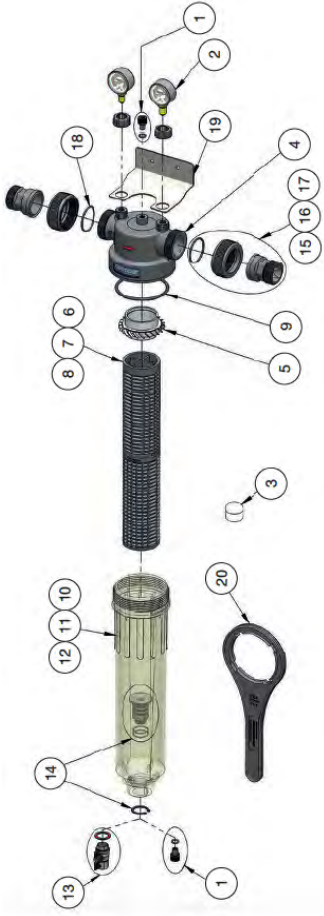
- range of filters for drinking water entirely made in synthetic material;
- the particular centrifugal effect causes the precipitation of larger particles, while the final filtration is assured by the filter sleeve;
- the filters include the sleeve at 25 micron;
- also available sleeves at 1, 5, 10, 50, 100, 150 and 300 micron as spare parts;
- wrench, pressure gauge and drain cock included;
- max operating pressure 10 bar;
- max pressure 16 bar;
- max operating temperature 50°C.

Ref	Description	Fam.	Subfam.	Disp. Stock	
FB404	FILTER CINTROPUR NW 280-1" - 25 MICRON	40	113	OK	
FB405	FILTER CINTROPUR NW 340-1"1/4 - 25 MICRON	40	113	OK	
FB406	FILTER CINTROPUR NW 400-1,5" - 25 MICRON	40	113	OK	

Ref	Flow m ³ /h Δp 0,2 bar	Weight (kg)	Connections	Ø Pipe	Total Width (mm)	Total Height (mm)
FB404	7	2,2	1" BSPT	1"	284	472
FB405	10	2,7	1¼"BSPT	1 ¼"	284	573
FB406	12	2,9	1½"BSPT	1 ½"	284	675

Box: WxLxH	Box: Q.ty	Box: Weight	Pallet: WxLxH	Pallet: Q.ty	Pallet: Weight

Certificates	Manufacturer	Sectors
DM174-2004 ACS	Cintropur	Commercial



Item	Ref.	Description	Fam.	Subfam.	Disp. Stock	
7	FB453C	NW340 PVC FILTERING SUPPORT ARMOR	40	112	NO	
18	FB499C	O-RING FOR NW280/340/400 CONNECTIONS	40	112	NO	
20	FB479C	NW280-340-400 WRENCH	40	112	NO	
Not shown	FB437C	N. 5 SPARE SLEEVES KIT 5 MICRON NW 280	40	112	OK	
Not shown	FB440C	N. 5 SPARE SLEEVES KIT 50 MICRON NW 280	40	112	OK	
Not shown	FB440D	N. 5 SPARE SLEEVES KIT 50 MICRON NW 340	40	112	OK	
Not shown	FB441D	N. 5 SPARE SLEEVES KIT 100 MICRON NW 340	40	112	OK	
Not shown	FB443D	N. 5 SPARE SLEEVES KIT 300 MICRON WASHABLE NW 340	40	112	NO	
Not shown	FB439E	N. 5 SPARE SLEEVES KIT 25 MICRON NW 400	40	112	OK	
Not shown	FB440E	N. 5 SPARE SLEEVES KIT 50 MICRON NW 400	40	112	OK	
Not shown	FB441E	N. 5 SPARE SLEEVES KIT 100 MICRON NW 400	40	112	OK	



Industrial Cintropur Filters



- range of filters for drinking water entirely made in synthetic material;
- the particular centrifugal effect causes the precipitation of larger particles, while the final filtration is assured by the filter sleeve;
- the filters include the sleeve at 25 micron;
- also available sleeves at 5, 10, 50, 100, 150 and 300 micron as spare parts;
- wrench, pressure gauge and drain cock included;
- max operating pressure 10 bar;
- max pressure 16 bar;
- max operating temperature 50°C.

Ref	Description	Fam.	Subfam.	Disp. Stock	
FB408A	FILTER CINTROPUR NW 500-2" - 25 MICRON	40	113	OK	
FB408TE	FILTER CINTROPUR NW 500 - 2" - TE	40	113	OK	
FB409A	FILTER CINTROPUR NW 650-2 1/2" - 25 MICRON	40	113	OK	
FB410A	FILTER CINTROPUR NW 800-3" - 25 MICRON	40	113	OK	

Ref	Flow m ³ /h con Δp 0,2 bar	Weight (kg)	Connections	Ø Pipe	Total Height (mm)	Total Width (mm)
FB408A	18	6,4	2" BSPT	2"	363	770
FB408TE	2	6,4	2" BSPT	2"	363	770
FB409A	25	7,0	DN65	2 1/2"	304	770
FB410A	32	7,4	DN80	3"	313	770

Box: WxLxH	Box: Q.ty	Box: Weight	Pallet: WxLxH	Pallet: Q.ty	Pallet: Weight

Certificates	Manufacturer	Sectors
DM174-2004 ACS	Cintropur	Commercial, Industrial



Industrial Cintropur Filters

Spare Parts and Accessories



Rif. N.	Ref	Description	Fam.	Subfam.	Disp. Stock	
53	FB484A	SUPPORT ARMOR NW500/650/800 REF.53	40	112	NO	
55	FB486A	HEAD O-RING NW500/650/800 REF. 55	40	112	NO	
56	FB488A	TRANSPARENT BOWL NW500/650/800 REF. 56	40	112	NO	
62	FB479	SPANNER NW500/650/800 REF. 62	40	112	OK	
69	FB492C	NW280/340/400/500/650/800 1/4" PRESSURE GAUGE 0÷20 BAR	40	112	NO	
70	FB499	MANIFOLD O-RING CONNECTIONS NW500/650 REF. 70	40	112	NO	
71	FB499A	MANIFOLD O-RING CONNECTIONS NW800 REF. 71	40	112	NO	
Not shown	FB437	N. 5 SPARE SLEEVES KIT 5 MICRONS NW 50/62/75/500/650/800	40	112	OK	
Not shown	FB438	N. 5 SPARE SLEEVES KIT 10 MICRONS NW 50/62/75/500/650/800	40	112	OK	
Not shown	FB439	N. 5 SPARE SLEEVES KIT 25 MICRONS NW 50/62/75/500/650/800	40	112	OK	
Not shown	FB440	N. 5 SPARE SLEEVES KIT 50 MICRONS NW 50/62/75/500/650/800	40	112	OK	
Not shown	FB441	N. 5 SPARE SLEEVES KIT 100 MICRONS NW 50/62/75/500/650/800	40	112	OK	
Not shown	FB442	N. 5 SPARE SLEEVES KIT WASHABLE 150 MICRONS NW 50/62/75/500/650/800	40	112	OK	
Not shown	FB443	N. 5 SPARE SLEEVES KIT WASHABLE 300 MICRONS NW 50/62/75/500/650/800	40	112	OK	



MD Two Pieces Filter Housings IN/OUT connections 3/4"



- Made in European Union (Italy);
- Two pieces filter housings for standard filtering cartridges length 5", 10" or 20";
- Fixable head in material PP reinforced blue colour;
- Sump in PET;
- O-ring in EPDM;
- IN/OUT connections 3/4" BSPP F;
- With air valve;
- Max operating pressure 8 bar;
- Temperature 4 ÷ 45°C.

Ref	Description	Fam.	Subfam.	Disp. Stock	
FBMD0507B	MWG TWO PIECES FILTER HOUSING 3/4" - L=5" BLUE BOWL	40	106	OK	
FBMD1007T	MWG TWO PIECES FILTER HOUSING 3/4" - L=10" CLEAR BOWL	40	106	OK	
FBMD1007B	MWG TWO PIECES FILTER HOUSING 3/4" - L=10" BLUE BOWL	40	106	OK	
FBMD2007T	MWG TWO PIECES FILTER HOUSING 3/4" - L=20" CLEAR BOWL	40	106	OK	
FBMD2007B	MWG TWO PIECES FILTER HOUSING 3/4" - L=20" BLUE BOWL	40	106	OK	

Ref	Head Dimension (mm)	Total Length (mm)
FBMD0507B	122	185
FBMD1007T	122	325
FBMD1007B	122	325
FBMD2007T	122	577
FBMD2007B	122	577

Box: WxLxH	Box: Q.ty	Box: Weight	Pallet: WxLxH	Pallet: Q.ty	Pallet: Weight

Certificates	Manufacturer	Sectors
DM174-2004 DM25-2012 ACS	MWG	Domestic, Commercial

Spare Parts and Accessories

Ref	Description	Fam.	Subfam.	Disp. Stock	
FBMDR11	MWG PLASTIC SPANNER FOR FILTER MD	40	106	OK	
FBMDR21	MWG BLUE PLASTIC BRACKET WITH SCREWS FOR FILTER MDAND MT	40	106	OK	
FBMDR31	MWG PLASTIC NIPPLE 3/4" BSPP W/O-RING FOR FILTER MD/MM/MT	40	106	OK	
FBMDR52	BLUE HEAD FOR MD 3/4" BSPP FILTER HOUSING	40	106	NO	
FBMDR61	MWG BOWL BLUE 10" FOR MD FILTER HOUSINGS + O-RING	40	106	OK	
FBMDR62	MWG BOWL CLEAR 10" FOR MD FILTER HOUSINGS + O-RING	40	106	NO	
FBMDR65	BOWL BLUE 20" FOR MD FILTER HOUSINGS + O-RING	40	106	OK	
FBMDR66	MWG BOWL CLEAR 20" FOR MD FILTER HOUSINGS + O-RING	40	106	OK	
FBMDR71	MWG O-RING FOR HEAD MD FILTER HOUSINGS	40	106	OK	
FBMDR91	MWG BREATHER-VALVE WITH O-RING FOR HEAD MD FILTERHOUSING	40	106	NO	



BG Plastic BIG Filter Housings



- Made in European Union (Italy);
- Suitable for 4 1/2" diameter DOE high flow cartridges;
- Fixable head;
- Material in PP;
- O-ring in EPDM;
- complete with air valve
- Max operating pressure 8,3 bar;
- Temperature 4 ÷ 45°C;
- IN/OUT connections BSPP;
- With plastic wrench (ref. FBBGR11).

Ref	Description	Fam.	Subfam.	Disp. Stock	
FBBG1010B	MWG FILTER HOUSING BIG L=10" -1" BLUE BOWL WITH KEY	40	106	OK	
FBBG1015B	MWG FILTER HOUSING BIG L=10" 1 1/2" BLUE BOWL WITH KEY	40	106	OK	
FBBG2010B	MWG FILTER HOUSING BIG L=20" -1" BLUE BOWL WITH KEY	40	106	OK	
FBBG2015B	MWG FILTER HOUSING BIG L=20" -1 1/2" BLUE BOWL WITH KEY	40	106	OK	

Ref	In/Out Connection (inch)	Head Dimension (mm)	Total Length (mm)
FBBG1010B	1" F	190	360
FBBG1015B	1 1/2" F	190	360
FBBG2010B	1" F	190	617
FBBG2015B	1 1/2" F	190	617

Certificates	Manufacturer	Sectors
DM174-2004 DM25-2012	MWG	Domestic, Commercial

Ref	Description	Fam.	Subfam.	Disp. Stock	
FBBGR11	MWG SPANNER FOR FILTER BG	40	106	OK	

Box: WxLxH	Box: Q.ty	Box: Weight	Pallet: WxLxH	Pallet: Q.ty	Pallet: Weight

Cartridges to coupling

- BIG PP microfiber filtering cartridges;
- BIG CARBON BLOCK filtering cartridges.

Spare Parts and Accessories

Ref	Description	Fam.	Subfam.	Disp. Stock	
FBBGR11	MWG SPANNER FOR FILTER BG	40	106	OK	
FBBGR21	MWG S.S. PAINTED MOUNTING BRACKET FOR FILTER BG	40	106	OK	
FBBGR31	MWG NR. 2 BRASS NIPPLES 1" W/O-RING FOR FILTER BG/MT	40	106	OK	
FBBGR51	HEAD FOR BG 1" FILTER HOUSING	40	112	OK	
FBBGR52	MWG HEAD FOR BG 1 1/2" FILTER HOUSING	40	112	NO	
FBBGR61	BOWL BLUE 10" FOR BG FILTER HOUSING	40	112	OK	
FBBGR71	MWG O-RING FOR HEAD BG FILTER HOUSINGS	40	112	OK	



MT Three Pieces Filter Housings

- Made in European Union (Italy);
- Three pieces filter housings for standard filtering cartridges length 10" or 20";
- Fixable head and nut in material PP reinforced blue colour; Sump in PET; O-ring in EPDM;
- IN/OUT connections BSPP F 1/2", 3/4" or 1", with brass inserts; With air valve;
- Max operating pressure 8 bar; Temperature 4 ÷ 45°C;
- **WARNING! FA068 cartridge is not suitable for this housing.**

Ref	Description	Fam.	Subfam.	Disp. Stock	
FBMT1005T	MWG THREE PIECES FILTER HOUSING 1/2" - L=10" CLEARBOWL	40	106	OK	
FBMT1007T	MWG THREE PIECES FILTER HOUSING 3/4" - L=10" CLEARBOWL	40	106	OK	
FBMT1007B	MWG THREE PIECES FILTER HOUSING 3/4" - L=10" BLUEBOWL	40	106	NO	
FBMT1010T	MWG THREE PIECES FILTER HOUSING 1" - L=10" CLEAR BOWL	40	106	OK	
FBMT1010B	MWG THREE PIECES FILTER HOUSING 1" - L=10" BLUE BOWL	40	106	NO	
FBMT2005T	MWG THREE PIECES FILTER HOUSING 1/2" - L=20" CLEARBOWL	40	106	OK	
FBMT2007T	MWG THREE PIECES FILTER HOUSING 3/4" - L=20" CLEARBOWL	40	106	OK	
FBMT2010T	MWG THREE PIECES FILTER HOUSING 1" - L=20" CLEAR BOWL	40	106	OK	
FBMT2010B	MWG THREE PIECES FILTER HOUSING 1" - L=20" BLUE BOWL	40	106	NO	

Ref	Connections (inch)	Head Dimension (mm)	Total Length (mm)
FBMT1005T	1/2"	133	315
FBMT1007T	3/4"	133	315
FBMT1007B	3/4"	133	315
FBMT1010T	1"	145	321
FBMT1010B	1"	145	321
FBMT2005T	1/2"	133	571
FBMT2007T	3/4"	133	571
FBMT2010T	1"	145	577
FBMT2010B	1"	145	577

Box: WxLxH	Box: Q.ty	Box: Weight	Pallet: WxLxH	Pallet: Q.ty	Pallet: Weight

Certificates	Manufacturer	Sectors
DM174-2004 DM25-2012 ACS	MWG	Domestic, Commercial

Spare Parts and Accessories

Ref	Description	Fam.	Subfam.	Disp. Stock	
FBMTR11	MWG PLASTIC SPANNER FOR FILTER MT	40	106	OK	
FBMTR41	MWG DIFFUSER TUBE 10" FOR FILTER MT	40	106	OK	
FBMTR51	MWG HEAD FOR MT 3/4" FILTER HOUSING	40	106	NO	
FBMTR52	MWG HEAD FOR MT 1" FILTER HOUSING	40	106	NO	
FBMTR53	MWG HEAD FOR MT 1/2" FILTER HOUSING	40	106	NO	
FBMTR61	MWG BOWL BLU 10" FOR MT FILTER HOUSINGS+O-RING	40	106	NO	
FBMTR62	MWG BOWL CLEAR 10" FOR MT FILTER HOUSINGS+O-RING	40	106	OK	
FBMTR66	MWG BOWL CLEAR 20" FOR MT FILTER HOUSINGS + O-RING	40	106	OK	
FBMTR71	MWG O-RING FOR HEAD MT FILTER HOUSINGS	40	106	OK	
FBMTR81	MWG NUT FOR MT FILTER HOUSINGS	40	106	NO	
FBMDR21	MWG BLUE PLASTIC BRACKET WITH SCREWS FOR FILTER MDAND MT	40	106	OK	
FBMDR31	MWG PLASTIC NIPPLE 3/4" BSPP W/O-RING FOR FILTER MD/MM/MT	40	106	OK	
FBBGR31	MWG NR. 2 BRASS NIPPLES 1" W/O-RING FOR FILTER BG/MT	40	106	OK	
FBMTR91	MWG BLUE BREATHER-VALVE WITH O-RING FOR HEAD MT FILTER HOUSING	40	106	NO	



MD, DD and TD two Pieces Filter Housings IN/OUT connections 1/4" for R.O. Systems



FBMD1002T



FBMD1002W



FBDD1002W



FBTD1002W

- Made in European Union (Italy);
- Suitable for residential R.O. and filtration systems;
- Two pieces filter housings for standard filtering cartridges length 10"
- Total height 325 mm;
- Fixable head (single, double or triplex) in material PP reinforced white colour;
- Sump in PET clear or white, O-ring in EPDM;
- IN/OUT connections 1/4" NPT F;
- With air valve;
- Max operating pressure 8 bar, temperature 4 ÷ 45°C;
- Designed for the following single, double or triple brackets (also ideal for 2 + 1 application), with fixing screws.

Ref	Description	Fam.	Subfam.	Disp. Stock	
FBMD1002T	MWG TWO PIECES FILTER HOUSING 1/4" - L=10" CLEAR BOWL	30	175	OK	
FBMD1002W	MWG TWO PIECES FILTER HOUSING 1/4" - L=10" WHITE BOWL	30	175	OK	
FBDD1002W	MWG TWO PIECES TWO FILTER HOUSING L=10" - 1/4" WHITE BOWL	30	175	OK	
FBTD1002W	MWG TWO PIECES THREE FILTER HOUSING L=10" - 1/4" WHITE BOWL	30	175	OK	

Ref	Cartridge Length (inch)	Head Dimension (mm)
FBMD1002T	Single	122
FBMD1002W	Single	122
FBDD1002W	Duplex	228
FBTD1002W	Triplex	336

Ref	Box: WxLxH.	Box: Q.ty	Box: Weight.	Pallet: WxLxH.	Pallet: Q.ty	Pallet: Weight.
FBMD1002T						
FBMD1002W						
FBDD1002W						
FBTD1002W						

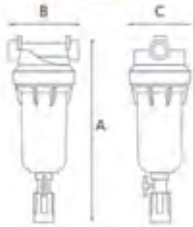
Certificates	Manufacturer	Sectors
DM174-2004 DM25-2012 ACS	MWG	Domestic, Commercial

Spare Parts and Accessories

Ref	Description	Fam.	Subfam.	Disp. Stock	
FBMDR11	MWG PLASTIC SPANNER FOR FILTER MD	40	106	OK	
FBMDR22	MWG WHITE PLASTIC BRACKET WITH SCREWS FOR MD AND MT FILTER HOUSINGS	30	175	OK	
FBMDR24	MWG WHITE BRACKET WITH SCREWS FOR DD AND DT TWO FILTER HOUSINGS	30	175	OK	
FBMDR26	MWG WHITE BRACKET WITH SCREWS FOR TD AND TT THREEFILTER HOUSINGS	30	175	OK	
FBMDR51	MWG WHITE HEAD FOR MD 1/4" NPT FILTER HOUSING	40	106	NO	
FBMDR71	MWG O-RING FOR HEAD MD FILTER HOUSINGS	40	106	OK	



MWG Self Cleaning Filters with Brass Head



- Made in European Union (Italy);
- Range of sediment self cleaning filters, chrome plated brass head, clear PET bowl, EPDM o-ring;
- Without cartridge, to order separately;
- With 2 manometers;
- With plastic wrench (ref. FBMDR11).
- Opening the drain valve, a depression is created inside the sump, that lowers the cartridge and reverts the clearing water flow. Closing the valve, the cartridge rises and places the filter in service again. Repeat the action 4-5 times for about 10 seconds each time;
- Easy cartridge disassembly in case of inspection or replacement;
- Range operating pressure 2 - 10 bar; range temperature 4 ÷ 45° C;
- Max ΔP recommended 1 bar.

Ref	Description	Fam.	Subfam.	Disp. Stock	
FBOA07T	MWG BRASS SELF CLEANING FILTER HOUSING 3/4" CLEAR BOWL	40	109	OK	
FBOA10T	MWG BRASS SELF CLEANING FILTER HOUSING 1" CLEAR BOWL	40	109	OK	

Ref.	In-Out Connections	Flow Δp=0,2 bar (l/h)	A (mm)	B (mm)	C (mm)
FBOA07T	3/4" F	5000	460	120	107
FBOA10T	1" F	6000	460	120	107

Box: WxLxH	Box: Q.ty	Box: Weight	Pallet: WxLxH	Pallet: Q.ty	Pallet: Weight

Certificates	Manufacturer	Sectors
DM174-2004	MWG	Domestic, Commercial

Filtering Cartridges for MWG Self-Cleaning Filter Housings

- Washable special cartridges and suitable for MWG Self-Cleaning Filter Housings in our Catalogue.



COD: FCOA90NA COD: FCOA50PP

Ref.	Description	Fam.	Subfam.	Disp. Stock	
FCOA50PP	MWG PLASTIC PLEATED CARTRIDGE 50 MICRON FOR SELF CLEANING FILTER	40	105	OK	
FCOA90NA	MWG SS NET CARTRIDGE 90 MICRON FOR SELF CLEANING FILTER	40	105	OK	

Box: WxLxH	Box: Q.ty	Box: Weight	Pallet: WxLxH	Pallet: Q.ty	Pallet: Weight

Certificates	Manufacturer	Sectors
DM174-2004	MWG	Domestic, Commercial

Accessories

Ref.	Description	Fam.	Subfam.	Disp. Stock	
FBOAR99	MWG AUTOMATION KIT FOR BRASS SELF CLEANING FILTER	40	109	NO	

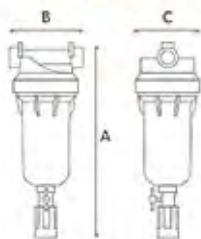
Spare Parts

Ref.	Description	Fam.	Subfam.	Disp. Stock	
FBMDR11	MWG PLASTIC SPANNER FOR FILTER MD	40	106	OK	
FBOAR77	MWG DRAIN KIT FOR BRASS SELF CLEANING FILTER	40	109	NO	





MWG Self Cleaning Filters with PP Head



- Made in European Union (Italy);
- Range of sediment self cleaning filters, head in material PP reinforced blue colour, clear PET bowl, EPDM o-ring;
- Without cartridge, to order separately;
- With 2 manometers;
- With plastic wrench (ref. FBMDR11).
- Opening the drain valve, a depression is created inside the sump, that lowers the cartridge and reverts the clearing water flow. Closing the valve, the cartridge rises and places the filter in service again. Repeat the action 4-5 times for about 10 seconds each time;
- Easy cartridge disassembly in case of inspection or replacement;
- Range operating pressure 2 - 8 bar; range temperature 4 ÷ 45° C;
- Max ΔP recommended 1 bar.

Ref	Description	Fam.	Subfam.	Disp. Stock	
FBPA12T	MWG PP SELF CLEANING FILTER HOUSING 1" 1/4 CLEAR BOWL	40	110	OK	
FBPA15T	MWG PP SELF CLEANING FILTER HOUSING 1.5" CLEARBOWL	40	110	OK	

Ref.	In-Out Connections	Flow Δp=0,2 bar (l/h)	A (mm)	B (mm)	C (mm)
FBPA12T	1" 1/4" F	8000	460	120	107
FBPA15T	1,5" F	10000	460	120	107

Box: WxLxH	Box: Q.ty	Box: Weight	Pallet: WxLxH	Pallet: Q.ty	Pallet: Weight

Certificates	Manufacturer	Sectors
DM174-2004	MWG	Domestic, Commercial

Filtering Cartridges for MWG Self-Cleaning Filter Housings

- Washable special cartridges and suitable for MWG Self-Cleaning Filter Housings in our Catalogue.



COD: FCOA90NA

COD: FCOA50PP

Ref.	Description	Fam.	Subfam.	Disp. Stock	
FCOA50PP	MWG PLASTIC PLEATED CARTRIDGE 50 MICRON FOR SELF CLEANING FILTER	40	105	OK	
FCOA90NA	MWG SS NET CARTRIDGE 90 MICRON FOR SELF CLEANING FILTER	40	105	OK	

Box: WxLxH	Box: Q.ty	Box: Weight	Pallet: WxLxH	Pallet: Q.ty	Pallet: Weight

Certificates	Manufacturer	Sectors
DM174-2004	MWG	Domestic, Commercial

Accessories

Ref.	Description	Fam.	Subfam.	Disp. Stock	
FBOAR99	MWG AUTOMATION KIT FOR BRASS SELF CLEANING FILTER	40	109	NO	

Spare Parts

Ref.	Description	Fam.	Subfam.	Disp. Stock	
FBMDR11	MWG PLASTIC SPANNER FOR FILTER MD	40	106	OK	
FBOAR77	MWG DRAIN KIT FOR BRASS SELF CLEANING FILTER	40	109	NO	





MWG Filter Housings for Washable Cartridge

MWG Filter Housings IN/OUT 3/4" - 1" for Washable Cartridge

- Made in European Union (Italy);
- Range of sediment filters, chrome plated brass head, clear PET bowl, EPDM o-ring;
- Without cartridge, to order separately;
- Available DOE cartridges in AISI 316 (50 or 70 micron) and DOE cartridges in Polyester (50 micron);
- Range operating pressure 2 - 10 bar;
- Range temperature 4 ÷ 45° C.



Ref	Description	Fam.	Subfam.	Disp. Stock	
FBOP1007T	MWG BRASS FILTER HOUSING 3/4" - L=10" CLEAR BOWL	40	109	OK	
FBOP1010T	MWG BRASS FILTER HOUSING 1" - L=10" CLEAR BOWL	40	109	OK	

Ref.	In-Out Connections	Flow Δp=0,2 bar (l/h)	A (mm)	B (mm)	C (mm)
FBOP1007T	3/4" F	3000	335	120	105
FBOP1010T	1" F	3500	335	120	105

Box: WxLxH	Box: Q.ty	Box: Weight	Pallet: WxLxH	Pallet: Q.ty	Pallet: Weight

Cartridges to coupling

- 10" DOE filtering cartridges in AISI 316 (ref. FAAP1050 and FAAL1070);
- 10" DOE filtering cartridges in Polyester (ref. FARP1050).

Certificates	Manufacturer	Sectors
DM174-2004	MWG	Domestic, Commercial

Accessories

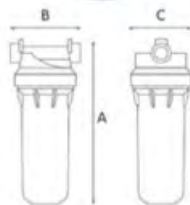
Ref.	Description	Fam.	Subfam.	Disp. Stock	
FBMDR11	MWG PLASTIC SPANNER FOR FILTER MD	40	106	OK	
FBOPR21	MOUNTING BRACKET WITH SCREWS FOR MWG FILTERS OA, OP	40	109	OK	
FBBGR31	MWG NR. 2 BRASS NIPPLES 1" W/O-RING FOR FILTER BG/MT	40	106	OK	



MWG Filter Housings for Washable Cartridge

MWG Filter Housings IN/OUT 1,5" - 2" for Washable Cartridge

- Made in European Union (Italy);
- Range of sediment filters, chrome plated brass head, clear PET bowl, EPDM o-ring;
- Without cartridge, to order separately;
- Available two o-rings AISI 316 cartridges 50 or 70 micron;
- Range operating pressure 2 - 10 bar;
- Range temperature 4 ÷ 45° C.



Ref	Description	Fam.	Subfam.	Disp. Stock	
FBOP1015T	MWG BRASS FILTER HOUSING 1,5" - L=10" CLEAR BOWL	40	109	OK	
FBOP1020T	MWG BRASS FILTER HOUSING 2" - L=10" CLEAR BOWL	40	109	OK	

Ref.	In-Out Connections	Flow Δp=0,2 bar (l/h)	A (mm)	B (mm)	C (mm)
FBOP1015T	1,5" F	10000	345	130	105
FBOP1020T	2" F	15000	350	130	105

Box: WxLxH	Box: Q.ty	Box: Weight	Pallet: WxLxH	Pallet: Q.ty	Pallet: Weight

Certificates	Manufacturer	Sectors
DM174-2004	MWG	Domestic, Commercial

SS Cartridges to coupling, Washable Filtering Cartridge MWG Housings 1.5" or 2"

- With two O-rings 57 mm;
- Dimensions external diameter 70 mm, internal 30 mm;
- Length = 250 mm and Nominal Length 10".



COD: FCAP1050



COD: FCAL1070

Ref	Description	Fam.	Subfam.	Disp. Stock	
FCAP1050	MWG AISI 304 PLEATED CARTRIDGE 10"-50 MICRON 2 O-RINGS 57 MM	40	105	OK	
FCAL1070	MWG AISI 304 SMOOTH CARTRIDGE 10"-70 MICRON 2 O-RINGS 57 MM	40	105	OK	

Box: WxLxH	Box: Q.ty	Box: Weight	Pallet: WxLxH	Pallet: Q.ty	Pallet: Weight

Certificates	Manufacturer	Sectors
DM174-2004	MWG	Domestic, Commercial

Accessories

Ref.	Description	Fam.	Subfam.	Disp. Stock	
FBMDR11	MWG PLASTIC SPANNER FOR FILTER MD	40	106	OK	
FBOPR21	MOUNTING BRACKET WITH SCREWS FOR MWG FILTERS OA, OP	40	109	OK	
FBBGR31	MWG NR. 2 BRASS NIPPLES 1" W/O-RING FOR FILTER BG/MT	40	106	OK	



MWG Filter Housings for Hot Water

- Made in European Union (Italy);
- Fixable head and bowl in reinforced Nylon red colour and O-ring in EPDM;
- With air valve;
- Without cartridge, to order separately;
- Suitable for standard DOE filtering cartridges with nominal length 10" or 20";
- Max operating pressure = 8,6 bar; Range temperature 4 - 80°C.
- **NOTE: for 20" models you can't use two 10" cartridges.**



Ref.	Description	Fam.	Subfam.	Disp. Stock	
FBHW1007	MWG HOT WATER FILTER HOUSING 3/4" - L=10"	40	106	NO	
FBHW1010	MWG HOT WATER FILTER HOUSING 1" - L=10"	40	106	NO	
FBHW2007	MWG HOT WATER FILTER HOUSING 3/4" - L=20"	40	106	NO	
FBHW2010	MWG HOT WATER FILTER HOUSING 1" - L=20"	40	106	NO	

Ref.	IN/OUT Connections (inch)	Nominal Length (inch)	A (mm)	B (mm)	C (mm)
FBHW1007	3/4"	10"	315	133	130
FBHW1010	1"	10"	321	145	130
FBHW2007	3/4"	20"	571	133	130
FBHW2010	1"	20"	577	145	130

Ref.	Box: WxLxH	Box: Q.ty	Box: Weight	Pallet: WxLxH	Pallet: Q.ty	Pallet: Weight
FBHW1007						
FBHW1010						
FBHW2007						
FBHW2010						

Certificates	Manufacturer	Sectors
EAC	MWG	Domestic, Commercial

AISI 316 Filtering DOE Cartridges for Hot Water

- Washable and suitable for MWG Hot Water Filter Housings on catalog;
- Dimensions external diameter 70 mm, internal 30 mm;
- Nominal Length 10" (= 250 mm) and 20" (= 505 mm);
- Range temperature 4 - 80°C.

FAAP1050 FAAL1070



Ref	Description	Fam.	Subfam.	Disp. Stock	
FAAP1050	MWG AISI 316 PLEATED CARTRIDGE 10"-50 MICRON	40	105	OK	
FAAL1070	MWG AISI 316 SMOOTH CARTRIDGE 10"-70 MICRON	40	105	OK	
FAAP2050	MWG AISI 316 PLEATED CARTRIDGE 20" - 50 MICRON	40	105	OK	
FAAL2070	MWG AISI 316 SMOOTH CARTRIDGE L=20"-70 MICRON	40	105	OK	

Box: WxLxH	Box: Q.ty	Box: Weight	Pallet: WxLxH	Pallet: Q.ty	Pallet: Weight

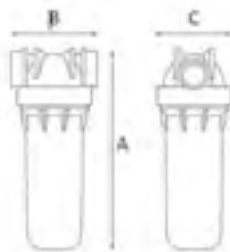
Certificates	Manufacturer	Sectors
DM174-2004 ACS	MWG	Domestic, Commercial, Industrial

Accessories

Ref.	Description	Fam.	Subfam.	Disp. Stock	
FBMTR11	MWG PLASTIC SPANNER FOR FILTER MT	40	106	OK	
FBMDR21	MWG BLUE PLASTIC BRACKET WITH SCREWS FOR FILTER MDAND MT	40	106	OK	



MWG Antimicrobial Two Pieces Filter Housings



- Made in European Union (Italy);
- Suitable for standard filtering cartridges length 10" or 20";
- Fixable head in reinforced polypropylene, grey colour;
- Bowl with antimicrobial technology, available in PET clear or in reinforced polypropylene grey colour;
- O-ring in EPDM;
- Max operating pressure 8 bar;
- Range temperature 4 ÷ 45°C.

Ref.	Description	Fam.	Subfam.	Disp. Stock	
FBMZ1002T	MWG ANTIMICROBIAL FILTER HOUSING 1/4" NPT L=10" CLEAR BOWL	40	106	NO	
FBMZ1002G	MWG ANTIMICROBIAL FILTER HOUSING 1/4" NPT L=10" GREY BOWL	40	106	NO	
FBMZ1005T	MWG ANTIMICROBIAL FILTER HOUSING 1/2" BSP L=10" CLEAR BOWL	40	106	NO	
FBMZ1005G	MWG ANTIMICROBIAL FILTER HOUSING 1/2" BSP L=10" GREY BOWL	40	106	NO	
FBMZ1007T	MWG ANTIMICROBIAL FILTER HOUSING 3/4" BSP L=10" CLEAR BOWL	40	106	NO	
FBMZ1007G	MWG ANTIMICROBIAL FILTER HOUSING 3/4" BSP L=10" GREY BOWL	40	106	NO	
FBMZ1010T	MWG ANTIMICROBIAL FILTER HOUSING 1" BSP L=10" CLEAR BOWL	40	106	NO	
FBMZ1010G	MWG ANTIMICROBIAL FILTER HOUSING 1" BSP L=10" GREY BOWL	40	106	NO	
FBMZ2007T	MWG ANTIMICROBIAL FILTER HOUSING 3/4" BSP L=20" CLEAR BOWL	40	106	NO	
FBMZ2007G	MWG ANTIMICROBIAL FILTER HOUSING 3/4" BSP L=20" GREY BOWL	40	106	NO	
FBMZ2010T	MWG ANTIMICROBIAL FILTER HOUSING 1" BSP L=20" CLEAR BOWL	40	106	NO	
FBMZ2010G	MWG ANTIMICROBIAL FILTER HOUSING 1" BSP L=20" GREY BOWL	40	106	NO	

Models	A (mm)	B (mm)	C (mm)
10"	325	122	107
20"	577	122	107

Models	Box: WxLxH	Box: Q.ty	Box: Weight	Pallet: WxLxH	Pallet: Q.ty	Pallet: Weight
10"						
20"						

Certificates	Manufacturer	Sectors
DM174-2004	MWG	Domestic, Commercial

Accessories and Spare Parts

Ref.	Description	Fam.	Subfam.	Disp. Stock	
FBMDR11	MWG PLASTIC SPANNER FOR FILTER MD	40	106	OK	
FBMDR21	MWG BLUE PLASTIC BRACKET WITH SCREWS FOR FILTER MDAND MT	40	106	OK	
FBMDR31	MWG PLASTIC NIPPLE 3/4" BSPP W/O-RING FOR FILTER MD/MM/MT	40	106	OK	



Filter Housings Brass Head



- three pieces filter housings;
- head and nut material brass nickel-pleated, sump in SAN clear;
- max operating pressure 8 bar;
- max operating temperature 40° C;
- complete with air valve.

Ref	Description	Fam.	Subfam.	Disp. Stock	
FB060	FILTER HOUSING OTS 34-9	40	109	OK	
FB061	FILTER HOUSING OTS 1-9	40	109	OK	
FB062	FILTER HOUSING OTS 1-20	40	109	OK	
FB063	FILTER HOUSING OTS 114-10	40	109	OK	
FB064	FILTER HOUSING OTS 114-20	40	109	OK	
FB072	FILTER HOUSING OTS 112-10	40	109	OK	
FB065	FILTER HOUSING OTS 112-20	40	109	OK	
FB073	FILTER HOUSING OTS 2-10	40	109	OK	
FB066	FILTER HOUSING OTS 2-20	40	109	OK	

Ref	Connections (inch)	For Cartridge	L (mm)	H (mm)
FB060	¾"	10"	135	330
FB061	1"	10"	135	330
FB062	1"	20"	135	600
FB063	1¼"	10"	150	340
FB064	1¼"	20"	150	620
FB072	1½"	10"	150	340
FB065	1½"	20"	150	620
FB073	2"	10"	162	360
FB066	2"	20"	162	640

Box: WxLxH	Box: Q.ty	Box: Weight	Pallet: WxLxH	Pallet: Q.ty	Pallet: Weight

Certificates	Manufacturer	Sectors
		Domestic, Commercial

Accessories Wrench

- galvanised steel material.

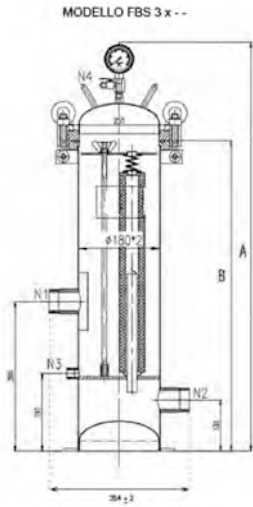


Ref	Description	Fam.	Subfam.	Disp. Stock	
FB069	SPANNER FOR FILTER OTS	40	105	OK	

Box: WxLxH	Box: Q.ty	Box: Weight	Pallet: WxLxH	Pallet: Q.ty	Pallet: Weight



MWG AISI 316L Filter Housings

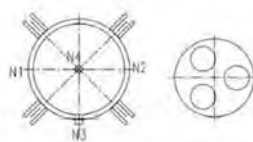


- Made in China;
- Multicartridges filter housings flanged top opening AISI 316L for 3 cartridges, In/Out connections 2" BSP M;
- 1/2" BSP F connection for drain filter;
- 1/4" BSP F connection for air valve pressure gauge;
- High resistance and strength electrowelded construction, complete with AISI 316 fixing cartridges accessories, mechanical polishing outside treatment;
- European 2014/68/EU Directive compliant for pressure equipment (PED);
- Max pressure @ 20°C = 10 bar; Max pressure @ 40°C = 9 bar; Max pressure @ 80°C = 8 bar;
- Hydraulic test pressure = 12 bar; Max temperature 80 °C;
- Gasket material EPDM (option in Viton not included, to order separately);
- Suitable for DOE cartridges;
- Cartridges dimensions: ID min/max 28÷30 mm, OD max 65 mm and length 20"-30"-40".
- **WARNING!** For these housings the suitable Carbon Block cartridges are FA018 and FA019.
- The FA013 and FA014 cartridges of our catalogue are not suitable for these housings.

Ref	Description	Fam.	Subfam.	Disp. Stock	
FBS0320	MWG FILTER HOUSING FBS 3x20" AISI 316L 2" BSP M	40	115	OK	

Ref	In/Out Connections	A (mm)	B (mm)
FBS0320	2" BSP M	1038	788

Box: WxLxH	Box: Q.ty	Box: Weight	Pallet: WxLxH	Pallet: Q.ty	Pallet: Weight



N1	Inlet	2" BSP Male
N2	Outlet	2" BSP Male
N3	Drain	1/2" Female
N4	Pressure Gauge/Vent	1/4" Female

Ref	Description	Fam.	Subfam.	Disp. Stock	
FBS0330	MWG FILTER HOUSING FBS 3x30" AISI 316L 2" BSP M	40	115	OK	

Ref	In/Out Connections	A (mm)	B (mm)
FBS0330	2" BSP M	1292	1042

Box: WxLxH	Box: Q.ty	Box: Weight	Pallet: WxLxH	Pallet: Q.ty	Pallet: Weight

Ref	Description	Fam.	Subfam.	Disp. Stock	
FBS0340	MWG FILTER HOUSING FBS 3x40" AISI 316L 2" BSP M	40	115	OK	

Ref	In/Out Connections	A (mm)	B (mm)
FBS0340	2" BSP M	1546	1296

Box: WxLxH	Box: Q.ty	Box: Weight	Pallet: WxLxH	Pallet: Q.ty	Pallet: Weight

Certificates	Manufacturer	Sectors
DM174-2004 CE	MWG	Industrial

Spare parts

Ref	Description	Fam.	Subfam.	Disp. Stock	
FBSR01	EPDM CLOSURE O-RING EPDM MWG FILTER MOD. FBS 3 ELEM.	40	115	NO	
FBSR13	SPRING IN AISI FOR MWG FILTERS FBS MODEL	40	115	OK	



MWG AISI 316L Filter Housings



- Made in China;
- Multicartridges filter housings flanged top opening AISI 316L for 5 cartridges, In/Out connections 2" BSP M;
- ½" BSP F connection for drain filter;
- ¼" BSP F connection for air valve pressure gauge;
- High resistance and strength electrowelded construction, complete with AISI 316 fixing cartridges accessories, mechanical polishing outside treatment;
- European 2014/68/EU Directive compliant for pressure equipment (PED);
- Max pressure @ 20°C = 10 bar; Max pressure @ 40°C = 9 bar; Max pressure @ 80°C = 8 bar;
- Hydraulic test pressure = 12 bar; Max temperature 80 °C;
- Gasket material EPDM (option in Viton not included, to order separately);
- Suitable for DOE cartridges;
- Cartridges dimensions: ID min/max 28÷30 mm, OD max 65 mm and length 20"- 30"- 40".
- **WARNING!** For these housings the suitable Carbon Block cartridges are FA018 and FA019.
- The FA013 and FA014 cartridges of our catalogue are not suitable for these housings.

Ref	Description	Fam.	Subfam.	Disp. Stock
FBS0520	MWG FILTER HOUSING FBS 5x20" AISI 316L 2" BSP M	40	115	OK

Ref	In/Out Connections	A (mm)	B (mm)
FBS0520	2" BSP M	1045	788

Box: WxLxH	Box: Q.ty	Box: Weight	Pallet: WxLxH	Pallet: Q.ty	Pallet: Weight

Ref	Description	Fam.	Subfam.	Disp. Stock
FBS0530	MWG FILTER HOUSING FBS 5x30" AISI 316L 2" BSP M	40	115	OK

Ref	In/Out Connections	A (mm)	B (mm)
FBS0530	2" BSP M	1042	1299

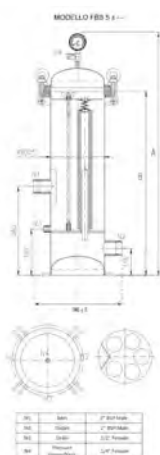
Box: WxLxH	Box: Q.ty	Box: Weight	Pallet: WxLxH	Pallet: Q.ty	Pallet: Weight

Ref	Description	Fam.	Subfam.	Disp. Stock
FBS0540	MWG FILTER HOUSING FBS 5x40" AISI 316L 2" BSP M	40	115	OK

Ref	In/Out Connections	A (mm)	B (mm)
FBS0540	2" BSP M	1553	1296

Box: WxLxH	Box: Q.ty	Box: Weight	Pallet: WxLxH	Pallet: Q.ty	Pallet: Weight

Certificates	Manufacturer	Sectors
DM174-2004 CE	MWG	Industrial

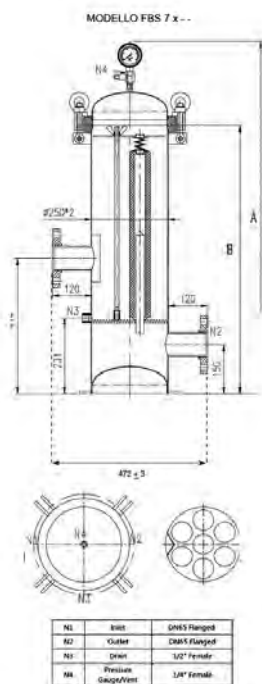


Spare parts

Ref	Description	Fam.	Subfam.	Disp. Stock
FBSR02	EPDM CLOSURE O-RING EPDM MWG FILTER MOD. FBS 5 ELEM.	40	115	OK
FBSR13	SPRING IN AISI FOR MWG FILTERS FBS MODEL	40	115	OK



MWG AISI 316L Filter Housings



- Made in China;
- Multicartridges filter housings flanged top opening AISI 316L for 7 cartridges, In/Out connections flanged 2,5" (DN65) ASME B16.5 CLASS 150;
- 1/2" BSP F connection for drain filter;
- 1/4" BSP F connection for air valve pressure gauge;
- High resistance and strength electrowelded construction, complete with AISI 316 fixing cartridges accessories, mechanical polishing outside treatment;
- European 2014/68/EU Directive compliant for pressure equipment (PED);
- Max pressure @ 20°C = 10 bar; Max pressure @ 40°C = 9 bar; Max pressure @ 80°C = 8 bar;
- Hydraulic test pressure = 12 bar;
- Max temperature 80 °C;
- Gasket material EPDM (option in Viton not included, to order separately);
- Suitable for DOE cartridges;
- Cartridges dimensions: ID min/max 28÷30 mm, OD max 65 mm and length 20"- 30"- 40".
- **WARNING!** For these housings the suitable Carbon Block cartridges are FA018 and FA019.
- The FA013 and FA014 cartridges of our catalogue are not suitable for these housings.

Ref	Description	Fam.	Subfam.	Disp. Stock	
FBS0720FL	MWG FILTER HOUSING FBS 7x20" AISI 316L FLANG 2.5"ASME B16.5 CLAS150	40	115	OK	

Ref	In/Out Connections	A (mm)	B (mm)
FBS0720FL	2,5" Flanged	1079	822

Box: WxLxH	Box: Q.ty	Box: Weight	Pallet: WxLxH	Pallet: Q.ty	Pallet: Weight

Ref	Description	Fam.	Subfam.	Disp. Stock	
FBS0730FL	MWG FILTER HOUSING FBS 7x30" AISI 316L FLANG 2.5"ASME B16.5 CLAS150	40	115	OK	

Ref	In/Out Connections	A (mm)	B (mm)
FBS0730FL	2,5" Flanged	1076	1333

Box: WxLxH	Box: Q.ty	Box: Weight	Pallet: WxLxH	Pallet: Q.ty	Pallet: Weight

Ref	Description	Fam.	Subfam.	Disp. Stock	
FBS0740FL	MWG FILTER HOUSING FBS 7x40" AISI 316L FLANG 2.5"ASME B16.5 CLAS150	40	115	OK	

Ref	In/Out Connections	A (mm)	B (mm)
FBS0740FL	2,5" Flanged	1330	1587

Box: WxLxH	Box: Q.ty	Box: Weight	Pallet: WxLxH	Pallet: Q.ty	Pallet: Weight

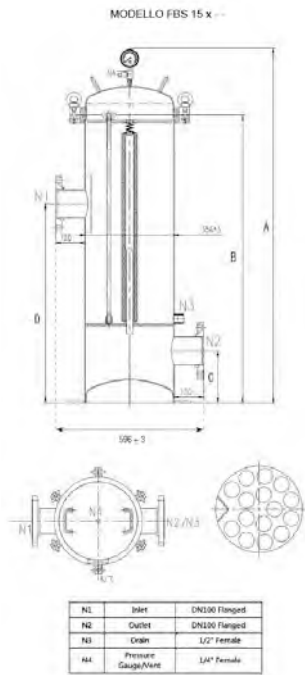
Certificates	Manufacturer	Sectors
DM174-2004 CE	MWG	Industrial

Spare parts

Ref	Description	Fam.	Subfam.	Disp. Stock	
FBSR03	EPDM CLOSURE O-RING EPDM MWG FILTER MOD. FBS 7 ELEM	40	115	NO	
FBSR13	SPRING IN AISI FOR MWG FILTERS FBS MODEL	40	115	OK	



MWG AISI 316L Filter Housings



- Made in China;
- Multicartridges filter housings flanged top opening AISI 316L for 15 cartridges, In/Out connections flanged 4" (DN100) ASME B16.5 CLASS 150;
- 1/2" BSP F connection for drain filter;
- 1/4" BSP F connection for air valve pressure gauge;
- High resistance and strength electrowelded construction, complete with AISI 316 fixing cartridges accessories, mechanical polishing outside treatment;
- European 2014/68/EU Directive compliant for pressure equipment (PED);
- Max pressure @ 20°C = 10 bar; Max pressure @ 40°C = 9 bar; Max pressure @ 80°C = 8 bar;
- Hydraulic test pressure = 12 bar;
- Max temperature 80 °C;
- Gasket material EPDM (option in Viton not included, to order separately);
- Suitable for DOE cartridges;
- Cartridges dimensions: ID min/max 28÷30 mm, OD max 65 mm and length 30"- 40".
- **WARNING!** For these housings the suitable Carbon Block cartridges are FA018 and FA019.
- The FA013 and FA014 cartridges of our catalogue are not suitable for these housings.

Ref	Description	Fam.	Subfam.	Disp. Stock	
FBS1530FL	MWG FILTER HOUSING FBS 15x30" AISI 316L FLANG 4"ASME B16.5 CLAS150	40	115	OK	
FBS1540FL	MWG FILTER HOUSING FBS 15x40" AISI 316L FLANG 4"ASME B16.5 CLAS150	40	115	OK	

Ref	A (mm)	B (mm)	C (mm)	D (mm)
FBS1530FL	1437	1166	211	806
FBS1540FL	1661	1390	181	1030

Box: WxLxH	Box: Q.ty	Box: Weight	Pallet: WxLxH	Pallet: Q.ty	Pallet: Weight

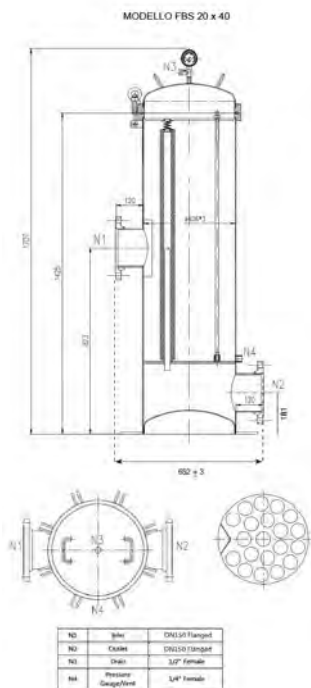
Certificates	Manufacturer	Sectors
DM174-2004 CE	MWG	Industrial

Spare parts

Ref	Description	Fam.	Subfam.	Disp. Stock	
FBSR05	EPDM CLOSURE O-RING EPDM MWG FILTER MOD. FBS 15 ELEM	40	115	NO	
FBSR13	SPRING IN AISI FOR MWG FILTERS FBS MODEL	40	115	OK	



MWG AISI 316L Filter Housings



- Made in China;
- Multicartridges filter housings flanged top opening AISI 316L for 20 cartridges, In/Out connections flanged 6" (DN150) ASME B16.5 CLASS 150;
- 1/2" BSP F connection for drain filter;
- 1/4" BSP F connection for air valve pressure gauge;
- High resistance and strength electrowelded construction, complete with AISI 316 fixing cartridges accessories, mechanical polishing outside treatment;
- European 2014/68/EU Directive compliant for pressure equipment (PED);
- Max pressure @ 20°C = 10 bar; Max pressure @ 40°C = 9 bar; Max pressure @ 80°C = 8 bar;
- Hydraulic test pressure = 12 bar;
- Max temperature 80 °C;
- Gasket material EPDM (option in Viton not included, to order separately);
- Suitable for DOE cartridges;
- Cartridges dimensions: ID min/max 28÷30 mm, OD max 65 mm and length 40".
- **WARNING!** For these housings the suitable Carbon Block cartridges are FA018 and FA019.
- The FA013 and FA014 cartridges of our catalogue are not suitable for these housings.

Ref	Description	Fam.	Subfam.	Disp. Stock	
FBS2040FL	MWG FILTER HOUSING FBS 20X40" AISI 316L FLANG 6"ASME B16.5 CLAS150	40	115	OK	

Box: WxLxH	Box: Q.ty	Box: Weight	Pallet: WxLxH	Pallet: Q.ty	Pallet: Weight

Certificates	Manufacturer	Sectors
DM174-2004 CE	MWG	Industrial

Spare parts

Ref	Description	Fam.	Subfam.	Disp. Stock	
FBSR07	EPDM CLOSURE O-RING EPDM MWG FILTER MOD. FBS 20 ELEM	40	115	NO	
FBSR13	SPRING IN AISI FOR MWG FILTERS FBS MODEL	40	115	OK	



Chemical High Resistance PVC-U Multicartridges Filter Housings HPCF Series



- PVC-U multicartridges filter housings for 5 cartridges flanged top opening, with three pieces In/Out female socket weld connections, two 1/4" threaded connections for air valve pressure gauges and for drain filter;
- All filter housing internal material and all internal spare parts are in PVC-U for high chemical corrosion resistance;
- Opening gasket and manifold gaskets in EPDM;
- With aeration valve and pressure gauge;
- European 2014/68/EU Directive compliant for pressure equipment (PED);
- Design pressure = 6,0 bar @ 25°C;
- Hydraulic test pressure = 7,8 bar;
- Max Δp = 1,4 bar;
- Operating temperature = 5 ÷ 40 °C;
- In/Out connections DN50 / D. 63 mm;
- Suggested bolt tightening torque 6-8 Nm;
- Suitable for DOE cartridges;
- Cartridges dimensions: ID 28÷30 mm, OD 65 mm and length 20"- 30"- 40".
- **WARNING!** The FA013 and FA014 cartridges of our catalogue are not suitable for these housings.

Ref	Description	Fam.	Subfam.	Disp. Stock
FB560	MWG MULTICARTRIDGE PVC-U FILTER HOUSING HPCF/B-5DC2 D.63 MM	40	108	OK

Ref	Cartridges Number	Weight (kg)	Capacity (Liters)	Nominal Flow Rate (lpm)
FB560	n.5 2,5" x 20"	11,0	20,6	300

Box: WxLxH	Box: Q.ty	Box: Weight	Pallet: WxLxH	Pallet: Q.ty	Pallet: Weight

Ref	A	C	D	E	I	K	L	M	N1 N2	N3
FB560	75	715	225	540	10	187,5	186	290	63	G 1/4"
FB561	75	965	225	540	10	187,5	186	290	63	G 1/4"
FB562	75	1215	225	540	10	187,5	186	290	63	G 1/4"

Ref	Description	Fam.	Subfam.	Disp. Stock
FB561	MWG MULTICARTRIDGE PVC-U FILTER HOUSING HPCF/B-5DC3 D.63 MM	40	108	OK

Ref	Cartridges Number	Weight (kg)	Capacity (Liters)	Nominal Flow Rate (lpm)
FB561	n.5 2,5" x 30"	12,7	29,4	300

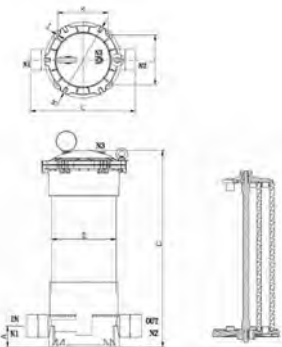
Box: WxLxH	Box: Q.ty	Box: Weight	Pallet: WxLxH	Pallet: Q.ty	Pallet: Weight

Ref	Description	Fam.	Subfam.	Disp. Stock
FB562	MWG MULTICARTRIDGE PVC-U FILTER HOUSING HPCF/B-5DC4 D.63 MM	40	108	OK

Ref	Cartridges Number	Weight (kg)	Capacity (Liters)	Nominal Flow Rate (lpm)
FB562	n.5 2,5" x 40"	14,4	38,2	300

Box: WxLxH	Box: Q.ty	Box: Weight	Pallet: WxLxH	Pallet: Q.ty	Pallet: Weight

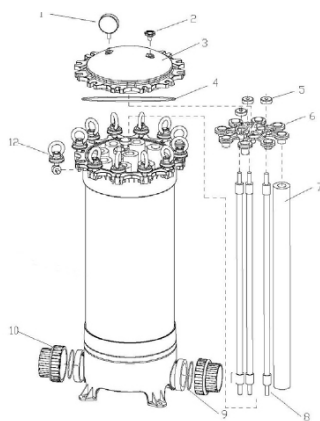
Certificates	Manufacturer	Sectors
CE	MWG	Industrial





Chemical High Resistance PVC-U Multicartridges Filter Housings HPCF Series

Spare Parts



Ref	Description	Fam.	Subfam.	Disp. Stock	
FB366	MWG PURGE CAP	40	107	OK	
FB367	MWG MANOMETER 0-7 BAR 1/4"	40	107	OK	
FB580	MWG FLANGED TOP COVER 225 HPCF/PF/HXP + PURGE CAP+ O-RING	40	108	OK	
FB363	MWG EPDM CLOSURE O-RING HPCF-PF-HXP 225	40	107	OK	
FB574	MWG CLOSURE CARTRIDGE NUT	40	108	OK	
FB578	MWG 5DC CARTRIDGE FIXING STAR	40	108	OK	
	Cartridges (not included)				
FB577	40" ROD	40	108	NO	
FB371	MWG T GASKET D.63 FOR HPCF FILTER	40	107	OK	
FB572	MWG SINGOL MANIFOLD KIT D. 63 MM W/O-RING	40	108	OK	
FB364	MWG AISI BOLT KIT M10	40	107	OK	
FB584	MWG KIT DRAIN LINE 1" BSPT M + D.20 TO GLUE HPCF 9	40	108	OK	

Item	Ref	Description	Q.TY	Material
2	FB366	MWG PURGE CAP	1	
1	FB367	MWG MANOMETER 0-7 BAR 1/4"	1	
2+3+4	FB580	MWG FLANGED TOP COVER 225 HPCF/PF/HXP + PURGE CAP+ O-RING	1	
4	FB363	MWG EPDM CLOSURE O-RING HPCF-PF-HXP 225	1	EPDM
5	FB574	MWG CLOSURE CARTRIDGE NUT	3	
6	FB578	MWG 5DC CARTRIDGE FIXING STAR	1	
7		Cartridges (not included)		
8	FB577	40" ROD	1	
10	FB371	MWG T GASKET D.63 FOR HPCF FILTER	2	
9+10	FB572	MWG SINGOL MANIFOLD KIT D. 63 MM W/O-RING	2	
11	FB364	MWG AISI BOLT KIT M10	6	AISI
Not shown	FB584	MWG KIT DRAIN LINE 1" BSPT M + D.20 TO GLUE HPCF 9	1	



Chemical High Resistance PVC-U Multicartridges Filter Housings HPCF Series



- PVC-U multicartridges filter housings for 9 cartridges flanged top opening, with three pieces In/Out female socket weld connections, two 1/4" threaded connections for air valve pressure gauges and for drain filter;
- All filter housing internal material and all internal spare parts are in PVC-U for high chemical corrosion resistance;
- Opening gasket and manifold gasket in EPDM;
- With aeration valve and pressure gauge;
- European 2014/68/EU Directive compliant for pressure equipment (PED);
- Design pressure = 6,0 bar @ 25°C;
- Hydraulic test pressure = 7,8 bar;
- Max Δp = 1,4 bar;
- Operating temperature = 5 ÷ 40 °C;
- In/Out connections DN80 / D. 90 mm;
- Suggested bolt tightening torque 6-8 Nm;
- 1" BSPT M (+ F 20 mm to glue) drain connection;
- Suitable for DOE cartridges;
- Cartridges dimensions: ID 28±30 mm, OD 65 mm and length 20"- 30"- 40".
- **WARNING!** The FA013 and FA014 cartridges of our catalogue are not suitable for these housings.

Ref	Description	Fam.	Subfam.	Disp. Stock
FB564	MWG MULTICARTRIDGE PVC-U FILTER HOUSING HPCF/B-9DC2 D.90 MM	40	108	OK

Ref	Cartridges Number	Weight (kg)	Capacity (Liters)	Nominal Flow Rate (lpm)
FB564	n.9 2,5" x 20"	20,0	39,7	250

Box: WxLxH	Box: Q.ty	Box: Weight	Pallet: WxLxH	Pallet: Q.ty	Pallet: Weight

Ref	A	C	D	E	I	J	K	L	M	N1 N2	N3	N4
FB564	69	765	315	520	9	15	276	249	372	90	G 1/4"	1"
FB565	69	1015	315	520	9	15	276	249	372	90	G 1/4"	1"
FB566	69	1265	315	520	9	15	276	249	372	90	G 1/4"	1"



Ref	Description	Fam.	Subfam.	Disp. Stock
FB565	MWG MULTICARTRIDGE PVC-U FILTER HOUSING HPCF/B-9DC3 D.90 MM	40	108	OK

Ref	Cartridges Number	Weight (kg)	Capacity (Liters)	Nominal Flow Rate (lpm)
FB565	n.9 2,5" x 30"	23,0	57,0	350

Box: WxLxH	Box: Q.ty	Box: Weight	Pallet: WxLxH	Pallet: Q.ty	Pallet: Weight

Ref	Description	Fam.	Subfam.	Disp. Stock
FB566	MWG MULTICARTRIDGE PVC-U FILTER HOUSING HPCF/B-9DC4 D.90 MM	40	108	OK

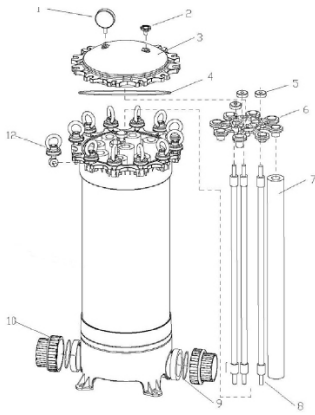
Ref	Cartridges Number	Weight (kg)	Capacity (Liters)	Nominal Flow Rate (lpm)
FB566	n.9 2,5" x 40"	26,0	74,3	550

Box: WxLxH	Box: Q.ty	Box: Weight	Pallet: WxLxH	Pallet: Q.ty	Pallet: Weight

Certificates	Manufacturer	Sectors
CE	MWG	Industrial



Chemical High Resistance PVC-U Multicartridges Filter Housings HPCF Series



Spare Part

Ref	Description	Fam.	Subfam.	Disp. Stock	
FB367	MWG MANOMETER 0-7 BAR 1/4"	40	107	OK	
FB366	MWG PURGE CAP	40	107	OK	
FB581	MWG FLANGED TOP COVER 325 HPCF + PURGE CAP + O-RING	40	108	OK	
FB571	MWG EPDM CLOSURE O-RING HPCF 315	40	108	OK	
FB574	MWG CLOSURE CARTRIDGE NUT	40	108	OK	
FB579	MWG 9DC CARTRIDGE FIXING STAR	40	108	OK	
	Cartridge (not included)				
FB577	40" ROD	40	108	NO	
FB583	MWG T GASKET D.90 FOR HPCF FILTER	40	108	OK	
FB573	MWG SINGOL MANIFOLD KIT D. 90 MM W/O-RING	40	108	OK	
FB582	MWG AISI BOLT KIT M12	40	108	OK	
FB584	MWG KIT DRAIN LINE 1" BSPT M + D.20 TO GLUE HPCF 9	40	108	OK	

Item	Ref	Description	Q.TY	Material
1	FB367	MWG MANOMETER 0-7 BAR 1/4"	1	
2	FB366	MWG PURGE CAP	1	
2+3+4	FB581	MWG FLANGED TOP COVER 325 HPCF + PURGE CAP + O-RING	1	
4	FB571	MWG EPDM CLOSURE O-RING HPCF 315	1	EPDM
5	FB574	MWG CLOSURE CARTRIDGE NUT	3	
6	FB579	MWG 9DC CARTRIDGE FIXING STAR	1	
7		Cartridge (not included)		
8	FB577	40" ROD	3	
9	FB583	MWG T GASKET D.90 FOR HPCF FILTER	3	
9+10	FB573	MWG SINGOL MANIFOLD KIT D. 90 MM W/O-RING	2	
12	FB582	MWG AISI BOLT KIT M12	12	AISI
Not shown	FB584	MWG KIT DRAIN LINE 1" BSPT M + D.20 TO GLUE HPCF 9	1	



High Flow PVC-U Single Cartridge Filter Housings PF Series



- PVC-U single cartridge filter housings, with flanged top opening, support legs, In/Out female socket weld connections and two 1/4" threaded connections for air valve pressure gauges and for drain filter;
- all filter housing internal material and all internal spare parts are in PVC-U for high chemical corrosion resistance;
- opening gasket and manifold gaskets in EPDM;
- with aeration valve and pressure gauge;
- European 2014/68/EU Directive compliant for pressure equipment (PED);
- design pressure = 7,0 bar @ 25°C;
- hydraulic test pressure = 9,1 bar;
- max Δp = 1,4 bar;
- operating temperature = 5 ÷ 40 °C;
- In/Out flanged connections DN50;
- Suggested bolt tightening torque 6-8 Nm;
- suitable for high flow "special pleated cartridges";
- cartridges dimensions: 6" x 20" and 6" x 40".

Ref	Description	Fam.	Subfam.	Disp. Stock
FB360	MWG SINGLE CARTRIDGE PVC-U FILTER HOUSING PF20 DN50	40	107	OK

Ref	Cartridge Type	Weight (kg)	Capacity (Liters)	Nominal Flow Rate (lpm)
FB360	6" x 20"	18,0	24,8	300

Box: WxLxH	Box: Q.ty	Box: Weight	Pallet: WxLxH	Pallet: Q.ty	Pallet: Weight

Certificates	Manufacturer	Sectors
CE	MWG	Industrial

Ref	Description	Fam.	Subfam.	Disp. Stock
FB361	MWG SINGLE CARTRIDGE PVC-U FILTER HOUSING PF40 DN50	40	107	OK

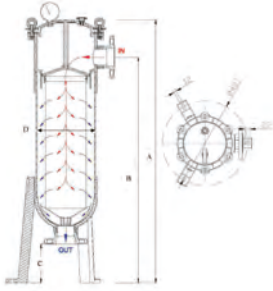
Ref	Cartridge Type	Weight (kg)	Capacity (Liters)	Nominal Flow Rate (lpm)
FB361	6" x 40"	22,3	41,0	300

Box: WxLxH	Box: Q.ty	Box: Weight	Pallet: WxLxH	Pallet: Q.ty	Pallet: Weight

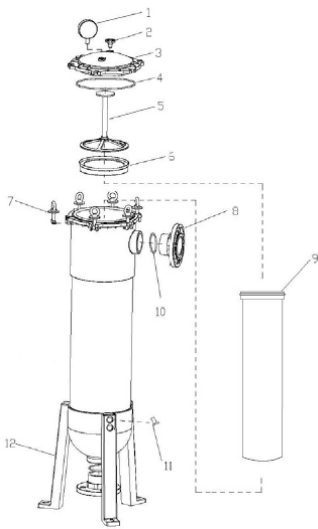
Certificates	Manufacturer	Sectors
CE	MWG	Industrial



High Flow PVC-U Single Cartridge Filter Housings PF Series



Ref	A	B	C	D
FB360	1070	905	165	225
FB361	1560	1395	165	225



Spare Parts

Ref	Description	Fam.	Subfam.	Disp. Stock
FB367	MWG MANOMETER 0-7 BAR 1/4"	40	107	OK
FB366	MWG PURGE CAP	40	107	OK
FB580	MWG FLANGED TOP COVER 225 HPCF/PF/HXP + PURGE CAP+ O-RING	40	108	OK
FB363	MWG EPDM CLOSURE O-RING HPCF-PF-HXP 225	40	107	OK
FB368	MWG PVC SPACER	40	107	OK
FB359	MWG PF FILTER 6" CARTRIDGE SEAL RING	40	107	OK
FB364	MWG AISI BOLT KIT M10	40	107	OK
FB370	MWG DN50 FLANGE	40	107	OK
	Single Cartridges (not included)			
FB362	MWG 2" FLANGE O-RING	40	107	OK
FB374	MWG SUPPORT LEG FIXING SCREW	40	107	OK
FB373	MWG SUPPORT LEG	40	107	OK

Item	Ref	Description	Q.TY	Material
1	FB367	MWG MANOMETER 0-7 BAR 1/4"	1	
2	FB366	MWG PURGE CAP	1	
2+3+4	FB580	MWG FLANGED TOP COVER 225 HPCF/PF/HXP + PURGE CAP+ O-RING	1	
4	FB363	MWG EPDM CLOSURE O-RING HPCF-PF-HXP 225	1	EPDM
5	FB368	MWG PVC SPACER	1	PVC
6	FB359	MWG PF FILTER 6" CARTRIDGE SEAL RING	1	
7	FB364	MWG AISI BOLT KIT M10	6	AISI
8	FB370	MWG DN50 FLANGE	2	
9		Single Cartridges (not included)		
10	FB362	MWG 2" FLANGE O-RING	2	
11	FB374	MWG SUPPORT LEG FIXING SCREW	6	
12	FB373	MWG SUPPORT LEG	3	



High Flow PVC-U Single Cartridge Filter Housings PF Series



Cartridge to coupling

- high flow "special pleated cartridges" single open-ended;
- filter media and support in PP, o-ring seal in EPDM;
- end caps in fiberglass reinforced PP;
- inside to outside flow pattern;
- external diameter = 6" (152 mm);
- recommended maximum ΔP 1,0 bar at 20°C.

Ref	Description	Fam.	Subfam.	Disp. Stock	
FB376	MWG PLEATED CARTRIDGE PP DLHF620PP4.5E	40	107	OK	
FB378	MWG PLEATED CARTRIDGE PP DLHF620PP10E	40	107	OK	
FB379	MWG PLEATED CERTRIDGE PP DLHF620PP20E	40	107	OK	
FB381	MWG PLEATED CARTRIDGE PP DLHF620PP70E	40	107	OK	
FB382	MWG PLEATED CARTRIDGE PP DLHF620PP100E	40	107	OK	

Ref	Lenght (inch)	Micron	Nominal Flow Rate (lpm)
FB376	20"	4,5	660
FB378	20"	10	660
FB379	20"	20	660
FB381	20"	70	660
FB382	20"	100	660

Box: WxLxH	Box: Q.ty	Box: Weight	Pallet: WxLxH	Pallet: Q.ty	Pallet: Weight

Certificates	Manufacturer	Sectors
	MWG	Industrial

Ref	Description	Fam.	Subfam.	Disp. Stock	
FB386	MWG PLEATED CARTRIDGE PP DLHF640PP4.5E	40	107	OK	
FB389	MWG PLEATED CARTRIDGE PP DLHF640PP20E	40	107	OK	
FB391	MWG PLEATED CARTRIDGE PP DLHF640PP70E	40	107	OK	
FB392	MWG PLEATED CARTRIDGE PP DLHF640PP100E	40	107	OK	

Ref	Lenght (inch)	Micron	Nominal Flow Rate (lpm)
FB386	40"	4,5	1300
FB389	40"	20	1300
FB391	40"	70	1300
FB392	40"	100	1300

Box: WxLxH	Box: Q.ty	Box: Weight	Pallet: WxLxH	Pallet: Q.ty	Pallet: Weight

Certificates	Manufacturer	Sectors
	MWG	Industrial



PVC-U Bag Filter System



- PVC-U bag filter housings, with flanged top opening, support legs, In/Out female socket weld connections and two 1/4" threaded connections for air valve pressure gauges and for drain filter;
- all filter housing internal material and all internal spare parts are in PVC-U for high chemical corrosion resistance;
- Opening gasket and manifold gaskets in EPDM;
- With aeration valve and pressure gauge;
- European 2014/68/EU Dir. compliant for pressure equipment (PED);
- Nominal flow rate = 300 lpm;
- Design pressure = 7,0 bar @ 25°C;
- Hydraulic test pressure = 9,1 bar;
- Max Δp = 1,0 bar;
- Operating temperature = 5 ÷ 40 °C;
- In/Out flanged connections DN50;
- Suggested bolt tightening torque 6-8 Nm;
- Suitable for bag filter;
- Bag filters dimensions: 7" x 16" and 7" x 32".

Ref	Description	Fam.	Subfam.	Disp. Stock
FB355	MWG BAG FILTER HOUSING PVC-U MOD. HXP-BF-1-1-B DN50	40	107	OK

Ref	Bag Size	Weight (kg)	Capacity (Litres)	Nominal Flow Rate
FB355	7" x 16"	15	17	300

Box: WxLxH	Box: Q.ty	Box: Weight	Pallet: WxLxH	Pallet: Q.ty	Pallet: Weight

Ref	Description	Fam.	Subfam.	Disp. Stock
FB356	MWG BAG FILTER HOUSING PVC-U MOD. HXP-BF-1-2-B DN50	40	107	OK

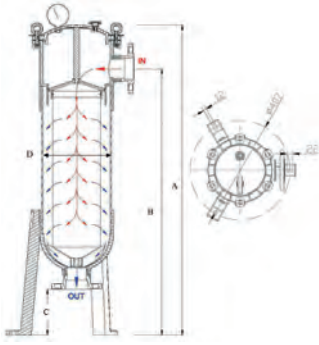
Ref	Bag Size	Weight (kg)	Capacity (Liters)	Nominal Flow Rate
FB356	7" x 32"	20	30	300

Box: WxLxH	Box: Q.ty	Box: Weight	Pallet: WxLxH	Pallet: Q.ty	Pallet: Weight

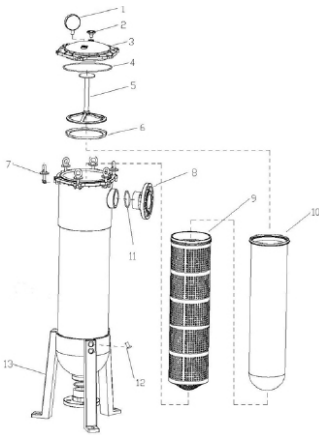
Certificates	Manufacturer	Sectors
CE	MWG	Industrial



PVC-U Bag Filter System



Ref	C	D	A	B
FB355	165	225	845	685
FB356	165	225	1225	1065



Spare Parts

Ref	Description	Fam.	Subfam.	Disp. Stock
FB367	MWG MANOMETER 0-7 BAR 1/4"	40	107	OK
FB366	MWG PURGE CAP	40	107	OK
FB580	MWG FLANGED TOP COVER 225 HPCF/PF/HXP + PURGE CAP+ O-RING	40	108	OK
FB363	MWG EPDM CLOSURE O-RING HPCF-PF-HXP 225	40	107	OK
FB368	MWG PVC SPACER	40	107	OK
FB359A	HXP-BF FILTER BAG SEAL RING	40	107	NO
FB364	MWG AISI BOLT KIT M10	40	107	OK
FB370	MWG DN50 FLANGE	40	107	OK
FB383	MWG PVC 16" FILTER SUPPORT ARMOR	40	107	OK
FB383A	MWG PVC 32" FILTER SUPPORT ARMOR	40	107	OK
	Bag Filter (not included)			
FB362	MWG 2" FLANGE O-RING	40	107	OK
FB374	MWG SUPPORT LEG FIXING SCREW	40	107	OK
FB373	MWG SUPPORT LEG	40	107	OK

Rif. N.	Ref	Description	Q.ty	Material
1	FB367	MWG MANOMETER 0-7 BAR 1/4"	1	
2	FB366	MWG PURGE CAP	1	
2+3+4	FB580	MWG FLANGED TOP COVER 225 HPCF/PF/HXP + PURGE CAP+ O-RING	1	
4	FB363	MWG EPDM CLOSURE O-RING HPCF-PF-HXP 225	1	EPDM
5	FB368	MWG PVC SPACER	1	PVC
6	FB359A	HXP-BF FILTER BAG SEAL RING	1	
7	FB364	MWG AISI BOLT KIT M10	6	AISI
8	FB370	MWG DN50 FLANGE	2	
9	FB383	MWG PVC 16" FILTER SUPPORT ARMOR	1	PVC
9	FB383A	MWG PVC 32" FILTER SUPPORT ARMOR	1	PVC
10		Bag Filter (not included)		
11	FB362	MWG 2" FLANGE O-RING	2	
12	FB374	MWG SUPPORT LEG FIXING SCREW	6	
13	FB373	MWG SUPPORT LEG	3	



PVC-U Bag Filter System

PVC-U Bag Filter System

- Inside to outside flow pattern;
- In PP material;
- External diameter = 7" (178 mm);
- Recommended maximum $\Delta p = 1,0$ bar at 20°C.

Ref	Description	Fam.	Subfam.	Disp. Stock	
FB357A	MWG BAG FILTER L= 16" - 1 MICRON	40	107	OK	
FB357B	MWG BAG FILTER L= 16" - 5 MICRON	40	107	OK	
FB357C	MWG BAG FILTER L= 16" - 10 MICRON	40	107	OK	
FB357D	MWG BAG FILTER L= 16" - 25 MICRON	40	107	OK	
FB357E	MWG BAG FILTER L= 16" - 50 MICRON	40	107	OK	
FB357F	MWG BAG FILTER L= 16" - 100 MICRON	40	107	OK	

Ref	Length	Micron	Nominal Flow Rate (lpm)
FB357A	16"	1	330
FB357B	16"	5	330
FB357C	16"	10	330
FB357D	16"	25	330
FB357E	16"	50	330
FB357F	16"	100	330

Ref	Description	Fam.	Subfam.	Disp. Stock	
FB358A	MWG BAG FILTER L= 32" - 1 MICRON	40	107	OK	
FB358B	MWG BAG FILTER L= 32" - 5 MICRON	40	107	OK	
FB358C	MWG BAG FILTER L= 32" - 10 MICRON	40	107	OK	
FB358D	MWG BAG FILTER L= 32" - 25 MICRON	40	107	OK	
FB358E	MWG BAG FILTER L= 32" - 50 MICRON	40	107	OK	
FB358F	MWG BAG FILTER L= 32" - 100 MICRON	40	107	OK	

Ref	Length	Micron	Nominal Flow Rate (lpm)
FB358A	32"	1	660
FB358B	32"	5	660
FB358C	32"	10	660
FB358D	32"	25	660
FB358E	32"	50	660
FB358F	32"	100	660

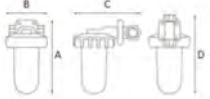
Certificates	Manufacturer	Sectors
CE	MWG	Industrial



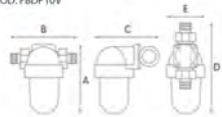
MWG Polyphosphate Proportioning Feeders



COD: FBDP04V COD: FBDP06V



COD: FBDP10V



- Made in European Union (Italy);
- Proportional dosage to water flow through Venturi system;
- Average dosage 3 ppm of P2O5;
- Head in reinforced polypropylene (in brass only for ref. FBDP04V), bowl in SAN, o-ring in EPDM;
- Availability of different models with IN-OUT connections from 1/2" F (with screw dosing setting or bypass) to 1" F;
- With specific plastic wrench (Ref. FBMDR11 for 3/4" and 1" models);
- Max operating pressure 8 bar;
- Range temperature 4 - 45 °C;
- Shipped without Polyphosphate, to order separately.

Ref.	Description	Fam.	Subfam.	Disp. Stock	
FBDP04V	MWG POLYPHOSPHATE FEEDER 1/2" EMPTY WITH SCREW FOR DOSING	40	111	OK	
FBDP06V	MWG POLYPHOSPHATE FEEDER 1/2" EMPTY WITH BYPASS	40	111	OK	
FBDP07V	MWG POLYPHOSPHATE FEEDER 3/4" EMPTY	40	111	OK	
FBDP10V	MWG POLYPHOSPHATE FEEDER 1" EMPTY	40	111	OK	

Ref.	IN-OUT Connections	Max Flow Rate (l/h)	A (mm)	B (mm)	C (mm)	D (mm)	E (mm)
FBDP04V	1/2"	1500	150	65	126	145	
FBDP06V	1/2"	1500	150	65	112	145	
FBDP07V	3/4"	3000	208	164	164	256	105
FBDP10V	1"	5000	208	168	164	259	105

Ref.	Box: WxLxH.	Box: Q.ty	Box: Weight	Pallet: WxLxH.	Pallet: Q.ty	Pallet: Weight
FBDP04V						
FBDP06V						
FBDP07V						
FBDP10V						

Certificates	Manufacturer	Sectors
DM174-2004	MWG	Domestic, Commercial

Accessories

Ref.	Description	Fam.	Subfam.	Disp. Stock	
FB DPR04	MWG PLASTIC SPANNER FOR FB DP04V	40	111	OK	
FB DPR06	MWG PLASTIC SPANNER FOR FB DP06V	40	111	OK	
FBMDR11	MWG PLASTIC SPANNER FOR FILTER MD	40	106	OK	

MWG Powder Polyphosphate

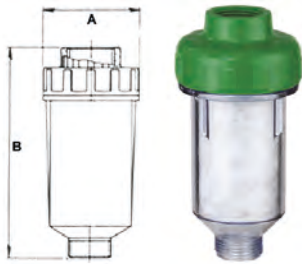
Available polyphosphate packages as spare.



COD: FB347A

Ref	Description	Fam.	Subfam.	Disp. Stock	
FB347C	MWG POLYPHOSPHATE COMPACT POWDER BLISTER (6 REFILL X 80 G)	40	112	OK	
FB347D	MWG POLYPHOSPHATE POWDER PACK 0,5 KG	40	112	OK	
FB347A	MWG POLYPHOSPHATE POWDER BOX 1 KG	40	112	OK	
FB347	MWG POLYPHOSPHATE POWDER BOX 25 KG	40	112	OK	

Certificates	Manufacturer	Sectors
DM174-2004	MWG	Domestic, Commercial



Polyphosphate Crystals Feeder

- polyphosphate crystals feeder antiscaling;
- particular suitable for washing machines – dish washers – boilers;
- initial filling of polyphosphate included;
- max operating pressure 7 bar;
- max operating temperature 35°C.

Ref	Description	Fam.	Subfam.	Disp. Stock	
FBDC07	MWG POLYPHOSPHATE CRYSTAL FEEDER DC 3/4"	40	106	OK	

Ref	A (mm)	B (mm)	Polyphosphate Filling (g)
FBDC07	68	130	160

Box: WxLxH	Box: Q.ty	Box: Weight	Pallet: WxLxH	Pallet: Q.ty	Pallet: Weight

Certificates	Manufacturer	Sectors
STANDARD EN 1208: 2005	MWG	Domestic, Commercial

Polyphosphate Crystals

- based on a mixture of selected high polymerization metaphosphates, in transparent vitreous state white or blue colour;
- typical composition: P2O5 > 60% and Na2O = 30% av.;
- to be used as antiscaling and corrosion inhibitor with water for potable and industrial applications;
- slow dissolution crystals, proportional to crystal size, temperature, pH and water hardness.

Ref	Description	Fam.	Subfam.		
FB350	MWG WHITE POLYPHOSPHATE CRYSTALS 5-15 MM BOX 25KG	40	112		
FB350A	MWG WHITE POLYPHOSPHATE CRYSTALS 5-15 MM PACK 1 K	40	112		
FB351	MWG POLYPHOSPHATE CRYSTALS 10-20 MM BOX 25 KG	40	112		
FB351A	MWG POLYPHOSPHATE CRYSTALS 10-20 MM PACK 1 KG	40	112		
FB348	MWG BLUE POLYPHOSPHATE CRYSTALS 5-15 MM BOX 25KG	40	112		
FB348A	MWG BLUE POLYPHOSPHATE CRYSTALS 5-15 MM PACK 1KG	40	112		
FB349	MWG BLUE POLYPHOSPHATE CRYSTALS 10-20MM BOX 25KG	40	112		
FB349A	MWG BLUE POLYPHOSPHATE CRYSTALS 10-20 MM PACK 1KG	40	112		

Box: WxLxH	Box: Q.ty	Box: Weight	Pallet: WxLxH	Pallet: Q.ty	Pallet: Weight

Certificates	Manufacturer	Sectors
STANDARD EN 1208: 2005	MWG	Domestic, Commercial

Liquid Polyphosphate

NOTE: not suitable for Polyphosphate Crystals Feeder.

Designed to use with dosing pump.

Ref	Description	Fam.	Subfam.	Disp. Stock	
FB346	MWG LIQUID POLYPHOSPHATE BOTTLE 1 LITER	40	112	OK	

Certificates	Manufacturer	Sectors
	MWG	Domestic, Commercial