

DIRECT CURRENT (d.c.)

PERFORMANCES

SBM-mini / SBM-midex / SBM-midex/2



Type	Voltage (V)	Power		Absorption (A)	RPM	Q	m³/h					
		HP	kW				0	0,3	0,6	0,9	1,2	1,6
SBM-mini	12V	0,4	0,3	30	1400	H (m)	0	5	10	15	20	27
	24V	0,4	0,3	16	1400		0	5	10	15	20	27

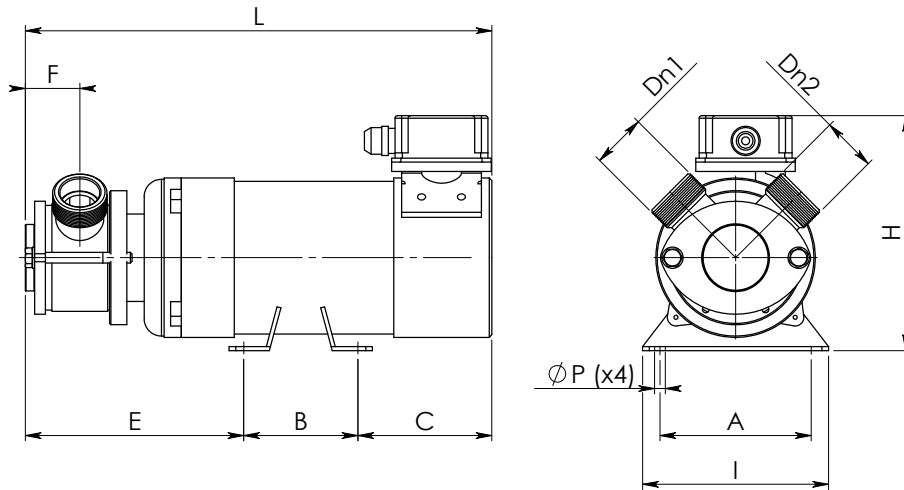
Type	Voltage (V)	Power		Absorption (A)	RPM	Q	m³/h						
		HP	kW				0	0,7	2,2	2,8	3,2	3,5	3,8
SBM-midex	12V	0,75	0,55	55	900	H (m)	0	12	36	46	53	58	64
	24V	0,75	0,55	28	900		0	12	36	46	53	58	64

Type	Voltage (V)	Power		Absorption (A)	RPM	Q	m³/h							
		HP	kW				0	1,2	1,9	3,6	4,3	4,8	5,2	5,8
SBM-midex/2	12V	1	0,75	60	1400	H (m)	0	20	32	60	72	80	86	96
	24V	1	0,75	30	1400		0	20	32	60	72	80	86	96

DIRECT CURRENT (d.c.)

DIMENSIONS AND WEIGHTS

SBM-mini / SBM-midex / SBM-midex/2



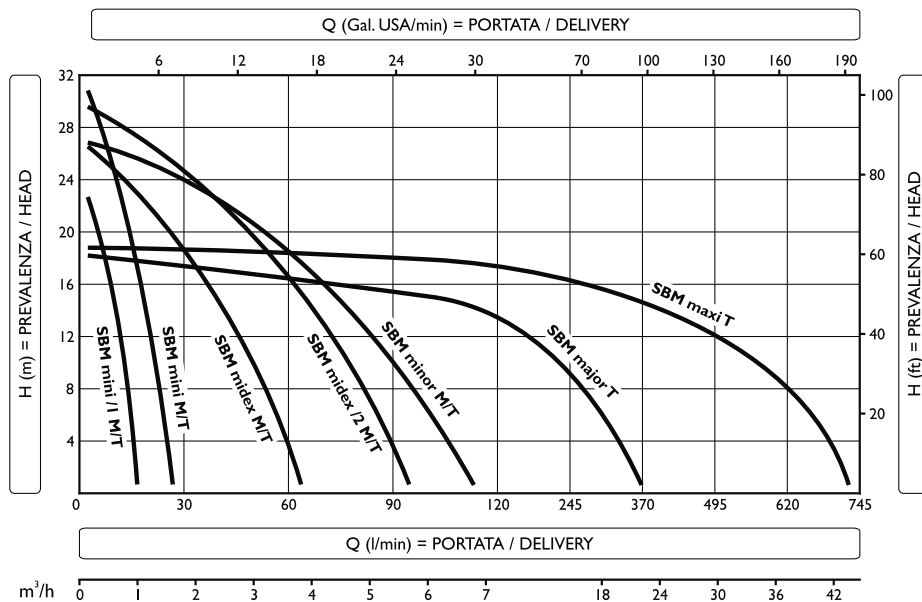
Type	Current	Dn1 (Gas - BSP)	Dn2 (Gas - BSP)	A	B	C	E	F	H	I	L	ØP	Weight (kg)
SBM-mini	c.c - d.c.	3/4"	3/4"	112	90	85	106	26	180	140	303	7	10
SBM-midex	c.c - d.c.	1" 1/4	1" 1/4	125	100	110	163	38	180	160	373	8	16
SBM-midex/2	c.c - d.c.	1" 1/4	1" 1/4	125	100	110	163	38	180	160	373	8	16

Measures in millimeter (mm), dimensions approximated

ALTERNATING CURRENT (a.c.)

PERFORMANCES

SBM-mini / SBM-mini/1 / SBM-midex / SBM-midex/2 / SBM-minor / SBM-major / SBM-maxi

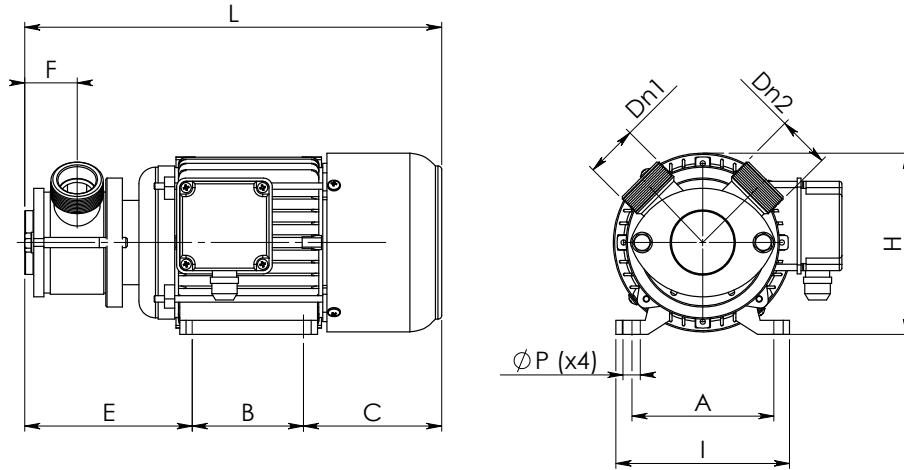


Type	Voltage (V)	Power		Absorption (A)	RPM	Q	Q (l/min) = PORTATA / DELIVERY															
		HP	kW				0	0,3	0,6	0,9	1,2	1,6										
SBM-mini	230M	0,75	0,56	3,8	1400	H (m)	0	5	10	15	20	27	32	28	25	18	10	0				
	230+400T	0,75	0,56	3+1,7	1400		0	5	10	15	20	27	32	28	25	18	10	0				
SBM-mini/1	230M	0,5	0,37	3,7	900	H (m)	0	8	12	14	15	17	24	18	12	8	4	0				
	230+400T	0,5	0,37	2,1+1,1	900		0	8	12	14	15	17	24	18	12	8	4	0				
SBM-midex	230M	0,75	0,55	4,4	900	H (m)	0	12	36	46	53	58	64	27	24	16	12	8	4	0		
	230+400T	0,75	0,55	2,9+1,7	900		0	12	36	46	53	58	64	27	24	16	12	8	4	0		
SBM-midex/2	230M	1	0,75	7,1	1400	H (m)	0	20	32	60	72	80	86	96	30	27	24	16	12	8	4	0
	230+400T	1	0,75	3,6+2,1	1400		0	20	32	60	72	80	86	96	30	27	24	16	12	8	4	0
SBM-minor	230M	2	1,5	13	900	H (m)	0	30	60	70	85	96	104	115	27	24	18	16	12	8	4	0
	230+400T	2	1,5	7,1+4,1	900		0	30	60	70	85	96	104	115	27	24	18	16	12	8	4	0
SBM-major	230+400T	2	1,87	9,5+5,5	900	H (m)	0	50	190	250	325	375	22,5	18	16	12	8	4	0			
	230+400T	2	1,87	9,5+5,5	900		0	50	190	250	325	375	22,5	18	16	12	8	4	0			
SBM-maxi	230+400T	4,5	3,4	14,3+8,3	600	H (m)	0	265	500	600	690	730	43,8	18	16	12	8	4	0			
	230+400T	4,5	3,4	14,3+8,3	600		0	265	500	600	690	730	43,8	18	16	12	8	4	0			

ALTERNATING CURRENT (a.c.)

DIMENSIONS AND WEIGHTS

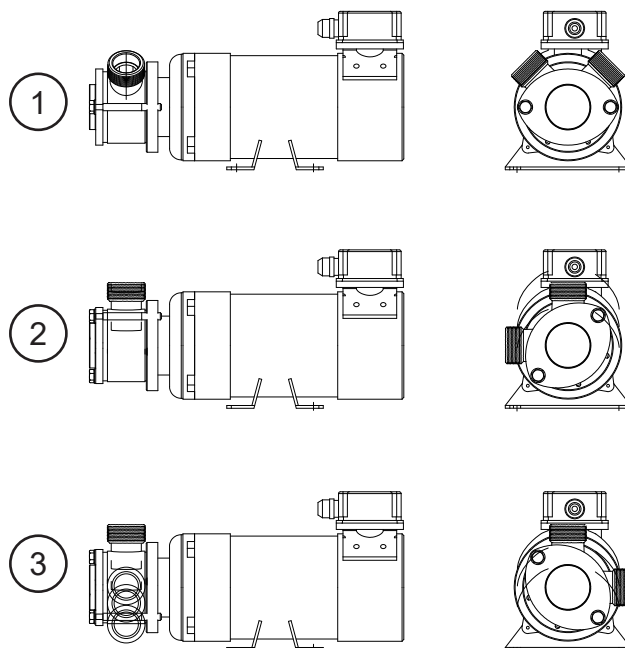
SBM-mini / SBM-mini/1 / SBM-midex / SBM-midex/2 / SBM-minor / SBM-major / SBM-maxi



Type	Current	Dn1 (Gas - BSP)	Dn2 (Gas - BSP)	A	B	C	E	F	H	I	L	ØP	Weight (kg)
SBM-mini	c.a - a.c	3/4"	3/4"	112	90	80	106	26	140	140	276	7	9,3
SBM-mini/1	c.a - a.c	3/4"	3/4"	112	90	80	106	26	140	140	276	7	9
SBM-midex	c.a - a.c	1" 1/4	1" 1/4	125	100	85	153	38	159	160	338	8	15
SBM-midex/2	c.a - a.c	1" 1/4	1" 1/4	125	100	85	153	38	159	160	338	8	15
SBM-minor	c.a - a.c	1" 1/2	1" 1/2	140	125	95	200	60	180	182	420	10	20
SBM-major	c.a - a.c	2"	2"	160	140	107	243	70	198	200	490	12	31
SBM-maxi	c.a - a.c	3"	3"	216	178	143	309	90	261	220	630	12	68

Measures in millimeter (mm), dimensions approximated

POSITIONING



NOTE: WITHOUT ANY INDICATION FROM THE CUSTOMER THE PUMP WILL BE ALWAYS SUPPLIED IN POSITION 1.