

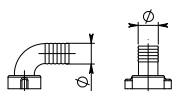
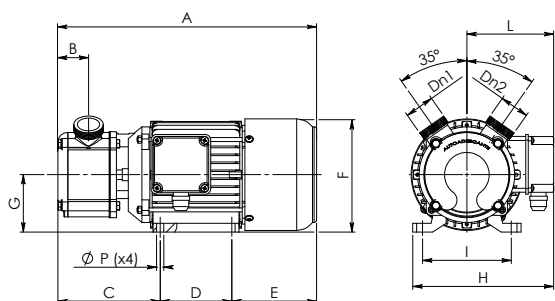
020 • 025 • 030 • 040 • 050 • 070

Self-priming electric pumps

DIRECT CURRENT (d.c.)

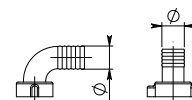
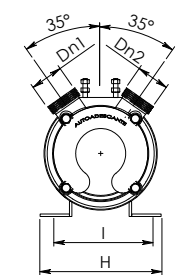
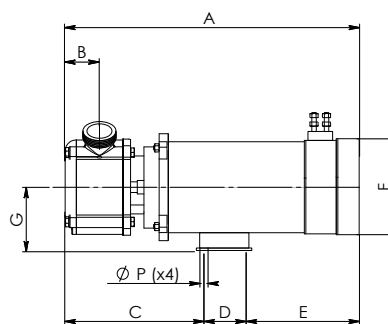
DIMENSIONS AND WEIGHTS

020 / 020S / 025 / 030 / 040



Raccordi/Pipe Fittings

050

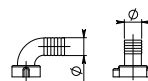
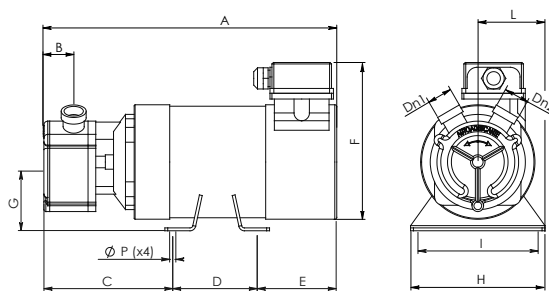


Raccordi/Pipe Fittings

| Type | Current | Dn1 - Dn2 (Gas - BSP) | Pipe fittings | A | B | C | D | E | F | G | H | I | L | ØP | Weight (kg) |
|------|------------|--------------------------|---------------|-----|----|-----|-----|-----|-----|-----|-----|-----|-----|----|----------------|
| 020 | c.c - d.c. | 3/4" M | Ø 20 mm | 295 | 35 | 115 | 80 | 100 | 123 | 63 | 165 | 100 | 105 | 7 | 5,7 |
| 020S | c.c - d.c. | 3/4" M | Ø 20 mm | 295 | 35 | 115 | 80 | 100 | 123 | 63 | 165 | 100 | 105 | 7 | 5,7 |
| 025 | c.c - d.c. | 1" M | Ø 25 mm | 320 | 40 | 127 | 90 | 103 | 139 | 71 | 180 | 112 | 110 | 8 | 9,6 |
| 030 | c.c - d.c. | 1"1/4" M | Ø 30 mm | 375 | 50 | 140 | 100 | 135 | 156 | 80 | 205 | 125 | 125 | 8 | 13,5 |
| 040 | c.c - d.c. | 1"1/2" M | Ø 40 mm | 490 | 67 | 180 | 125 | 185 | 178 | 90 | 218 | 140 | 130 | 10 | 21 |
| 050 | c.c - d.c. | 2" M | Ø 50 mm | 500 | 90 | 250 | 75 | 175 | 155 | 110 | 170 | 135 | / | 10 | 36 |

Measures in millimeter (mm), dimensions approximated

020 MP / 025 MP / 030 MP / 040 MP



Pipe Fittings

| Type | Current | Dn1 - Dn2 (Gas - BSP) | Pipe fittings | A | B | C | D | E | F | G | H | I | L | ØP | Weight (kg) |
|--------|------------|--------------------------|---------------|-----|----|-----|-----|-----|-----|----|-----|-----|-----|----|----------------|
| 020 MP | c.c - d.c. | 3/4" M | Ø 20 mm | 295 | 35 | 115 | 90 | 100 | 123 | 63 | 165 | 112 | 105 | 7 | 7 |
| 025 MP | c.c - d.c. | 1" M | Ø 25 mm | 320 | 40 | 127 | 90 | 103 | 139 | 71 | 180 | 112 | 110 | 8 | 9,6 |
| 030 MP | c.c - d.c. | 1"1/4" M | Ø 30 mm | 375 | 50 | 140 | 100 | 135 | 156 | 80 | 205 | 125 | 125 | 8 | 13,5 |
| 040 MP | c.c - d.c. | 1"1/2" M | Ø 40 mm | 490 | 67 | 180 | 125 | 185 | 178 | 90 | 218 | 140 | 130 | 10 | 21 |

Measures in millimeter (mm), dimensions approximated

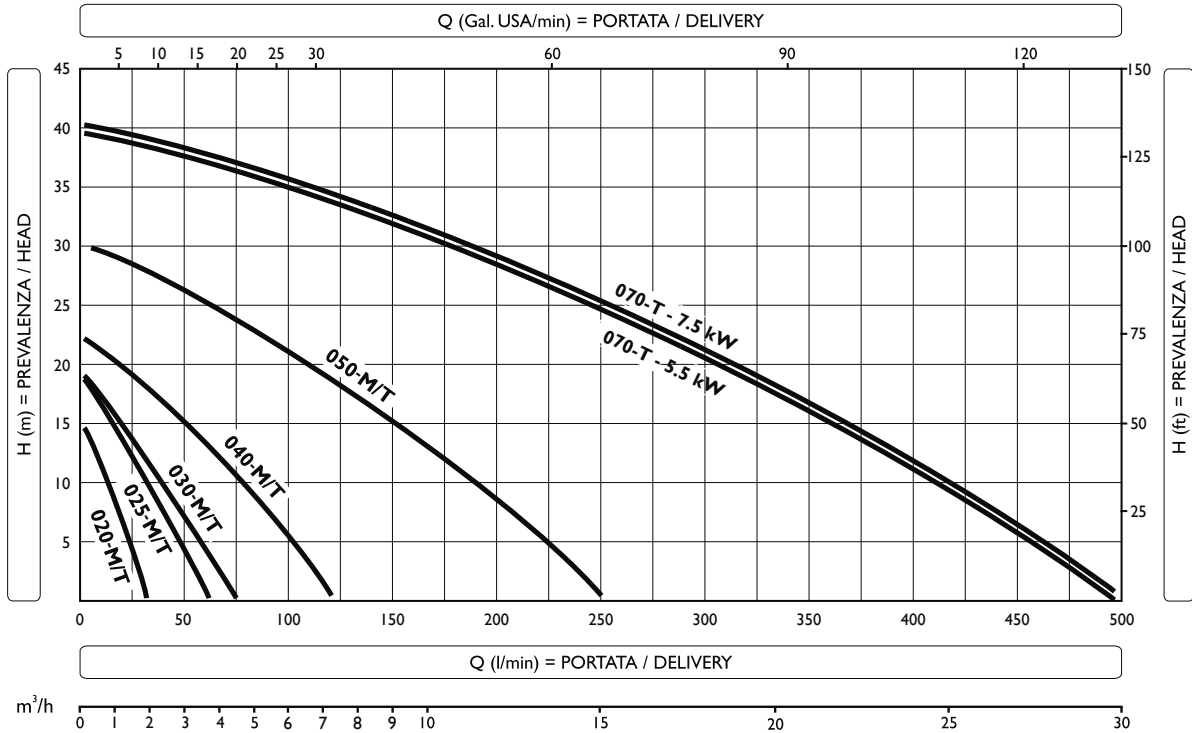
020 • 025 • 030 • 040 • 050 • 070

Self-priming electric pumps

ALTERNATING CURRENT (a.c.)

PERFORMANCES

020 / 025 / 030 / 040 / 050 / 070



| Type | Voltage (V) | Power | | Absorption (A) | RPM | Q | H (m) | | | | | | | | | | | | | | | |
|------|-------------|-------|------|----------------|------|-------|-------|----|-----|-----|-----|-----|-----|-----|-----|-----|-----|-----|-----|-----|--|--|
| | | HP | kW | | | | m³/h | 0 | 0,3 | 0,6 | 0,9 | 1,1 | 1,5 | 1,8 | 1,9 | 2,4 | 3,2 | 3,6 | 4,1 | 4,5 | | |
| | | | | | | | l/min | 0 | 5 | 10 | 15 | 18 | 25 | 30 | 32 | 40 | 53 | 60 | 68 | 75 | | |
| 020 | 230M | 0,45 | 0,33 | 2,2 | 2800 | H (m) | 15 | 12 | 10 | 8 | 6 | 2 | 0 | | | | | | | | | |
| | 230+400T | 0,45 | 0,33 | 1,3+0,7 | 2800 | | 15 | 12 | 10 | 8 | 6 | 2 | 0 | | | | | | | | | |
| 025 | 230M | 0,6 | 0,45 | 4 | 2800 | | 18 | 16 | 15 | 14 | 13 | 12 | 11 | 9 | 7 | 3 | 0 | | | | | |
| | 230+400T | 0,6 | 0,45 | 3,5+2 | 2800 | | 18 | 16 | 15 | 14 | 13 | 12 | 11 | 9 | 7 | 3 | 0 | | | | | |
| 030 | 230M | 1 | 0,75 | 5 | 1400 | | 18 | 17 | 16 | 15 | 14 | 13 | 12 | 11 | 10 | 7 | 5 | 3 | 0 | | | |
| | 230+400T | 1 | 0,75 | 3,6+2,2 | 1400 | | 18 | 17 | 16 | 15 | 14 | 13 | 12 | 11 | 10 | 7 | 5 | 3 | 0 | | | |

| Type | Voltage (V) | Power | | Absorption (A) | RPM | Q | H (m) | | | | | | | | | | | | | | | |
|------|-------------|-------|------|----------------|------|-------|-------|----|----|-----|-----|-----|-----|------|-----|-----|-----|-----|-----|-----|--|--|
| | | HP | kW | | | | m³/h | 0 | 3 | 4,8 | 6 | 7,2 | 9 | 10,8 | 15 | 18 | 21 | 24 | 27 | 30 | | |
| | | | | | | | l/min | 0 | 50 | 80 | 100 | 120 | 150 | 180 | 250 | 300 | 350 | 400 | 450 | 500 | | |
| 040 | 230M | 1,5 | 1,1 | 6 | 1400 | H (m) | 22 | 15 | 12 | 6 | 0 | | | | | | | | | | | |
| | 230:400T | 1,5 | 1,1 | 5+2,9 | 1400 | | 22 | 15 | 12 | 6 | 0 | | | | | | | | | | | |
| 050 | 230M | 2,5 | 1,85 | 12 | 1400 | | 30 | 25 | 22 | 19 | 18 | 14 | 10 | 0 | | | | | | | | |
| | 230:400T | 2,5 | 1,85 | 7,6+4,4 | 1400 | | 30 | 25 | 22 | 19 | 18 | 14 | 10 | 0 | | | | | | | | |
| 070 | 230:400T | 7,5 | 5,5 | 20,6+11,8 | 1400 | | 40 | 38 | 36 | 35 | 34 | 32 | 30 | 25 | 20 | 15 | 12 | 6 | 0 | | | |
| | 400:690T | 10 | 7,5 | 25,5+14,6 | 1400 | | 40 | 38 | 36 | 35 | 34 | 32 | 30 | 25 | 20 | 15 | 12 | 6 | 0 | | | |

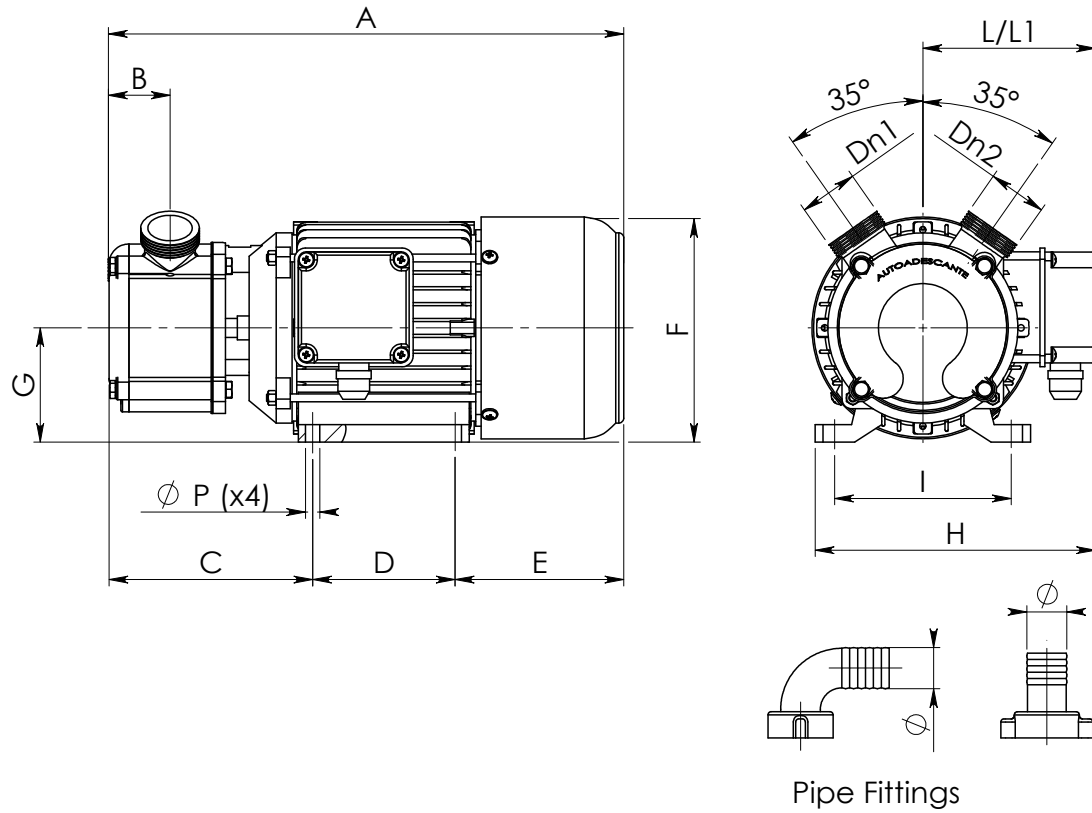
020 • 025 • 030 • 040 • 050 • 070

Self-priming electric pumps

ALTERNATING CURRENT (a.c.)

DIMENSIONS AND WEIGHTS

020 / 025 / 030 / 040 / 050



| Type | Current | Dn1 - Dn2 (Gas - BSP) | Pipe fittings | A | B | C | D | E | F | G | H | I | L* | L1** | ØP | Weight (kg) |
|------|---------|--------------------------|---------------|-----|----|-----|-----|-----|-----|----|-----|-----|-----|------|----|----------------|
| 020 | a.c. | 3/4" M | Ø 20 mm | 260 | 35 | 115 | 80 | 70 | 123 | 56 | 195 | 90 | 105 | 135 | 7 | 5,5 |
| 025 | a.c. | 1" M | Ø 25 mm | 305 | 40 | 127 | 90 | 88 | 139 | 71 | 213 | 112 | 110 | 145 | 8 | 9,2 |
| 030 | a.c. | 1"1/4" M | Ø 30 mm | 330 | 50 | 140 | 100 | 90 | 156 | 80 | 232 | 125 | 125 | 155 | 10 | 13 |
| 040 | a.c. | 1"1/2" M | Ø 40 mm | 352 | 67 | 162 | 100 | 90 | 156 | 80 | 232 | 125 | 125 | 155 | 10 | 18 |
| 050 | a.c. | 2" M | Ø 50 mm | 435 | 90 | 210 | 125 | 100 | 200 | 90 | 247 | 125 | 130 | 160 | 10 | 26,5 |

L*: terminal board connection

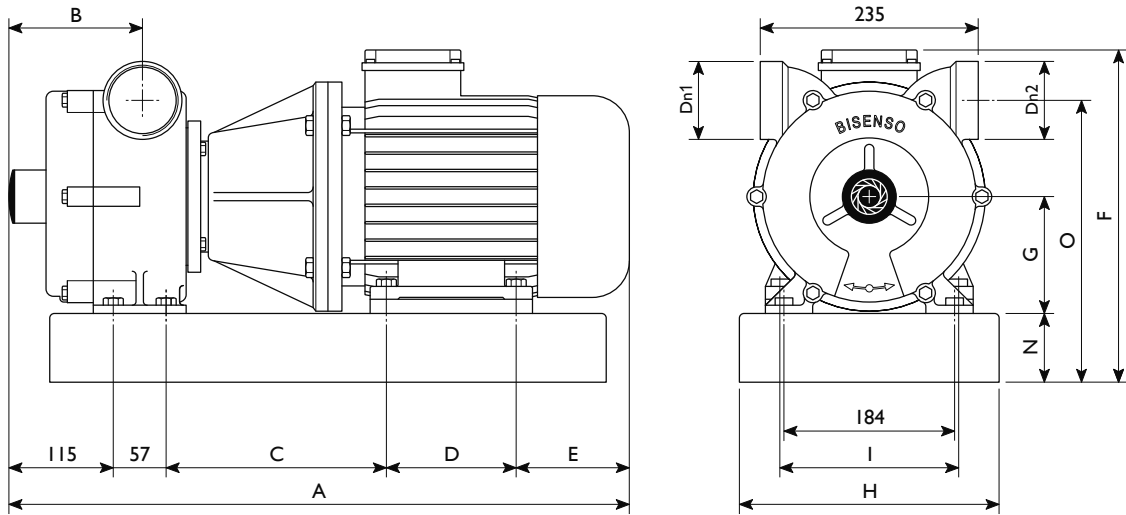
L1**= on-off reverse switch capacitor box

Measures in millimeter (mm), dimensions approximated

ALTERNATING CURRENT (a.c.)

DIMENSIONS AND WEIGHTS

070



| Type | Current | Dn1 - Dn2 (Gas - BSP) | Pipe fittings | A | B | C | D | E | F | G | H | I | O | ØP | Weight (kg) |
|--------------|---------|--------------------------|---------------|-----|-----|-----|-----|-----|-----|-----|-----|-----|-----|----|----------------|
| 070 - 5.5 kW | a.c. | 2"1/2" F | / | 705 | 144 | 245 | 140 | 148 | 370 | 128 | 280 | 190 | 306 | 11 | 75 |
| 070 - 7.5 kW | a.c. | 2"1/2" F | / | 785 | 144 | 280 | 178 | 155 | 385 | 156 | 280 | 216 | 307 | 11 | 87 |

Measures in millimeter (mm), dimensions approximated